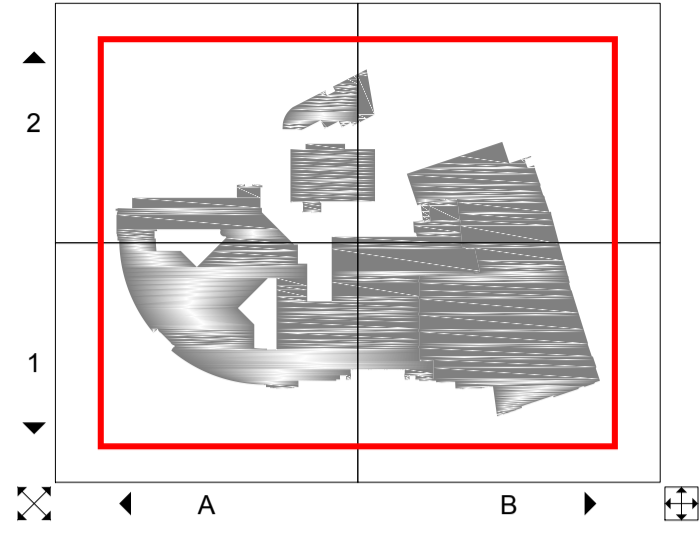


DO NOT SCALE FROM DRAWING. ALL DIMENSIONS MUST BE TAKEN ON SITE.



- |                 |                   |
|-----------------|-------------------|
| Accommodation   | Retail            |
| Changing/Cloaks | Sport/Fitness     |
| Child Care      | Store             |
| Circulation     | Toilet            |
| Dining          | Training/Teaching |
| Kitchen         | Unclassified      |
| Medical         | Utility           |
| Office          | Vehicle Storage   |
| Plant           | Workshop          |
| Recreation      | Worship           |
| Resource        |                   |

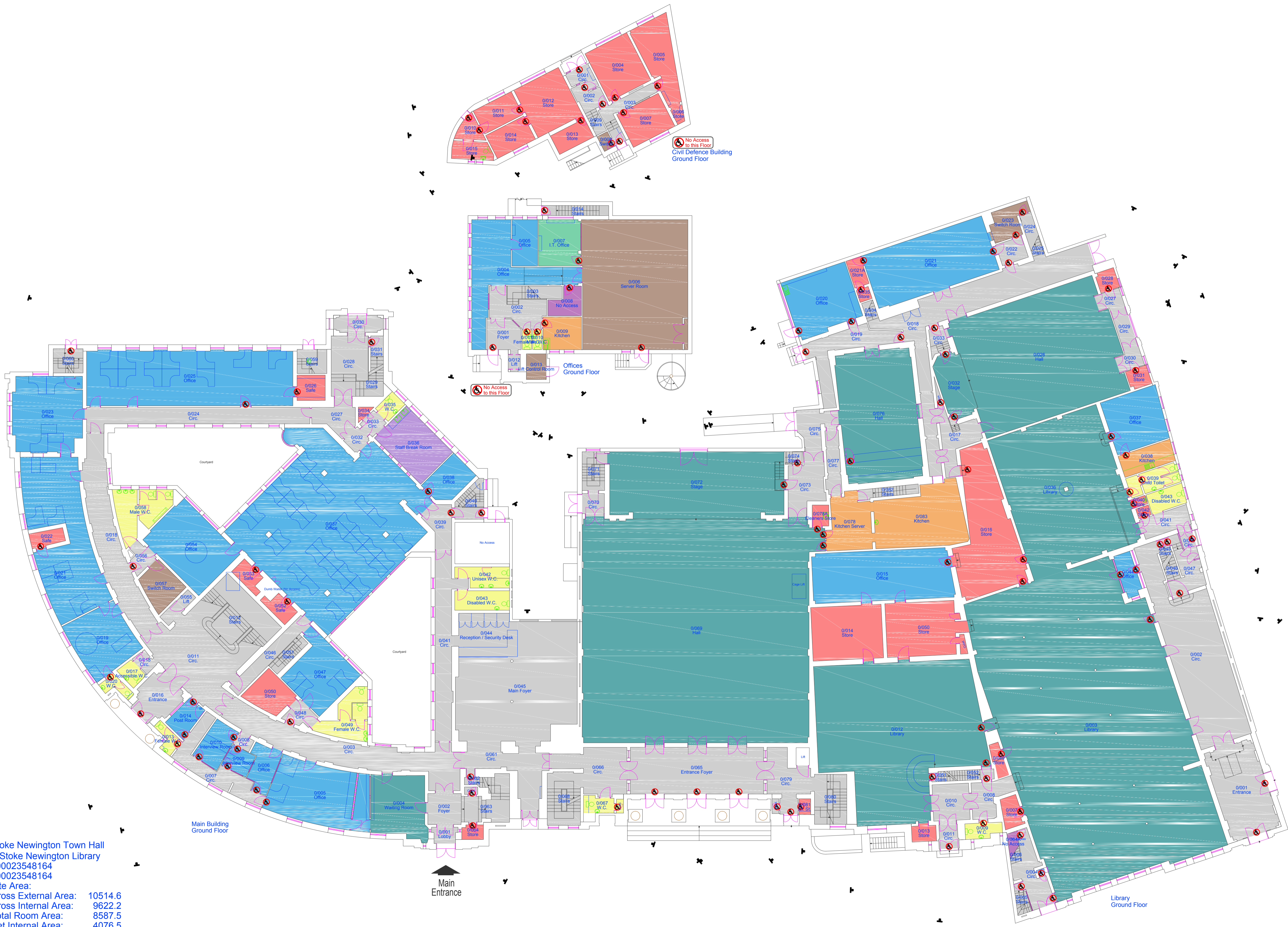
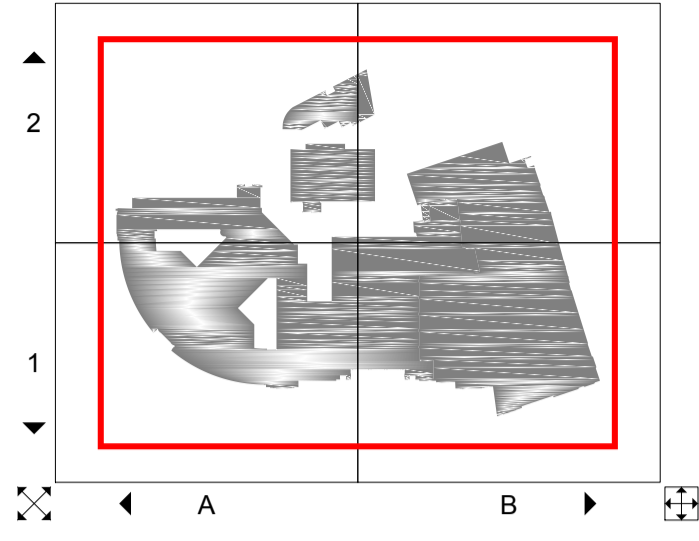
04	Town Hall & Library Update	CC	ARB	28/10/2015
03	Town Hall & Library Combined & Roof Updated	CC	ARB	09/02/2015
02	Roof Plan Added	CC	ARB	06/03/2013
01	Desk Layout Added	CC	ARB	19/11/2010
00	Initial Supply	CC	ARB	07/11/2008
Rev	Description	Drn	Chk	Date



CAD-CAPTURE AssetCapture™ www.assetcapture.net Tel: 01254 504450

Property: **Stoke Newington Town Hall & Stoke Newington Library**  
 Title: **Basement Plan**

<b>Area Information</b>	Job: S6150
Total Site Area:	Scale: 1:170@A1 1:340@A3
Gross External Area: 10514.6	Date: 28/10/2015
Gross Internal Area: 9622.2	Survey: N/A
Total Room Area: 8587.5	Drawn: CAD-CAPTURE
Net Internal Area: 4076.5	Checked: ARB
Filename: 100023548164.dwg	
Drawing No: 100023548164	



Stoke Newington Town Hall  
 & Stoke Newington Library  
 100023548164  
 100023548164  
 Site Area:  
 Gross External Area: 10514.6  
 Gross Internal Area: 9622.2  
 Total Room Area: 8587.5  
 Net Internal Area: 4076.5



- Accommodation
- Retail
- Changing/Cloaks
- Sport/Fitness
- Child Care
- Store
- Circulation
- Toilet
- Dining
- Training/Teaching
- Kitchen
- Unclassified
- Medical
- Utility
- Office
- Vehicle Storage
- Plant
- Workshop
- Recreation
- Worship
- Resource

04	Town Hall & Library Update	CC	ARB	28/10/2015
03	Town Hall & Library Combined & Roof Updated	CC	ARB	09/02/2015
02	Roof Plan Added	CC	ARB	06/03/2013
01	Desk Layout Added	CC	ARB	19/11/2010
00	Initial Supply	CC	ARB	07/11/2008
Rev	Description	Drn	Chk	Date

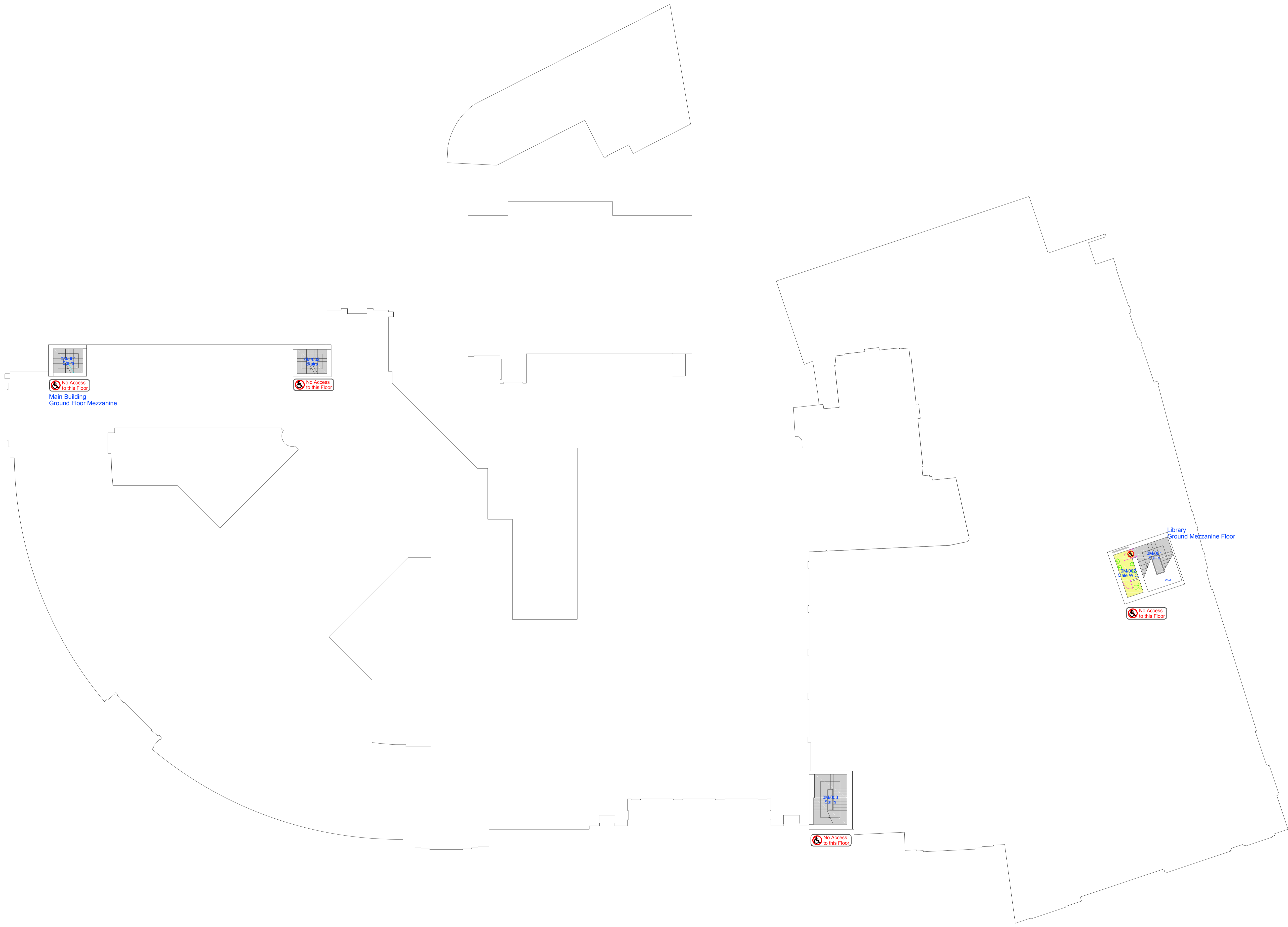
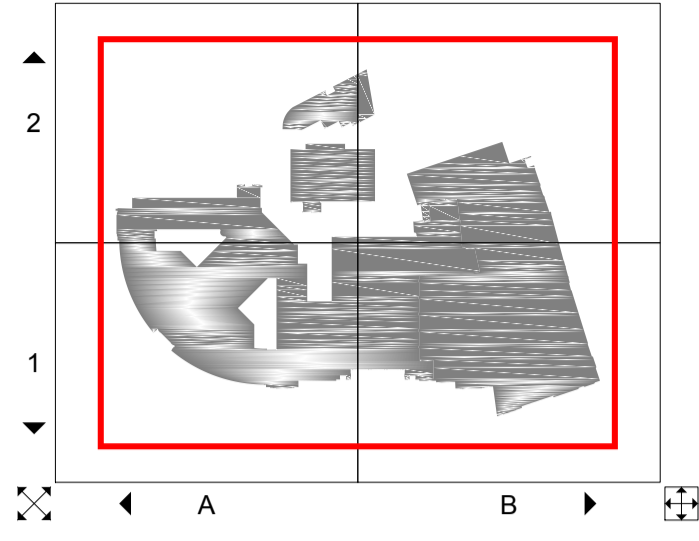


CAD-CAPTURE AssetCapture™ www.assetcapture.net Tel: 01254 504450

Property: Stoke Newington Town Hall  
 & Stoke Newington Library  
 Title: Ground Floor Plan

<b>Area Information</b>	Job: S6150
Total Site Area:	Scale: 1:170@A1 1:340@A3
Gross External Area: 10514.6	Date: 28/10/2015
Gross Internal Area: 9622.2	Survey: N/A
Total Room Area: 8587.5	Drawn: CAD-CAPTURE
Net Internal Area: 4076.5	Checked: ARB
Filename: 100023548164.dwg	
Drawing No: 100023548164	

DO NOT SCALE FROM DRAWING. ALL DIMENSIONS MUST BE TAKEN ON SITE.



DM1002  
Main Building  
Ground Floor Mezzanine

DM1002  
Main Building  
Ground Floor Mezzanine

DM1002  
Library  
Ground Mezzanine Floor

DM1002  
Library  
Ground Mezzanine Floor



Accommodation	Retail
Changing/Cloaks	Sport/Fitness
Child Care	Store
Circulation	Toilet
Dining	Training/Teaching
Kitchen	Unclassified
Medical	Utility
Office	Vehicle Storage
Plant	Workshop
Recreation	Worship
Resource	

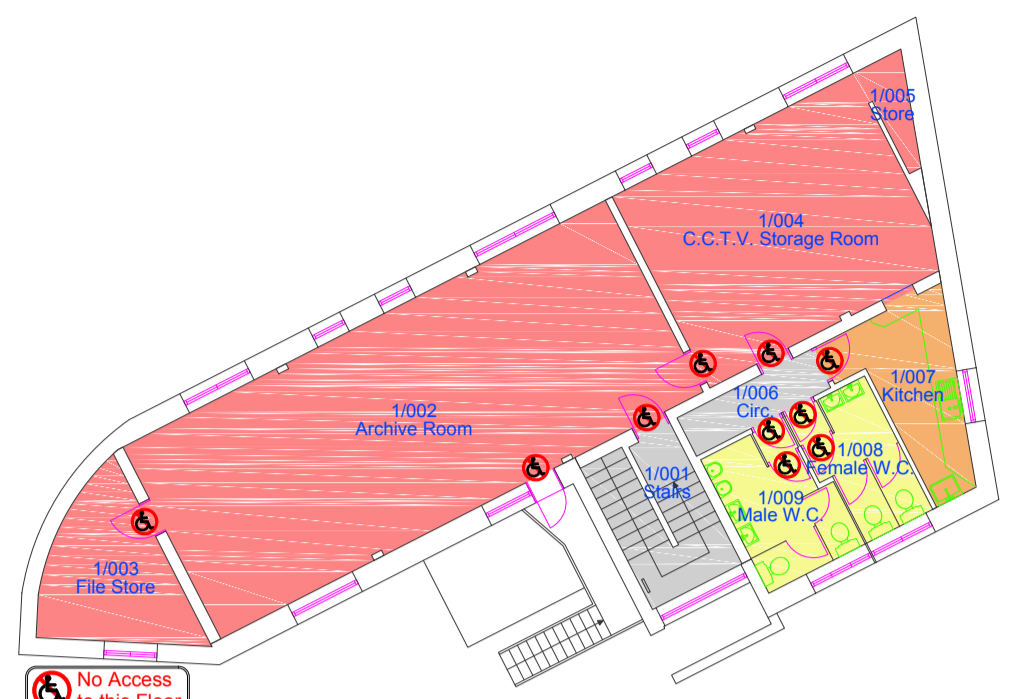
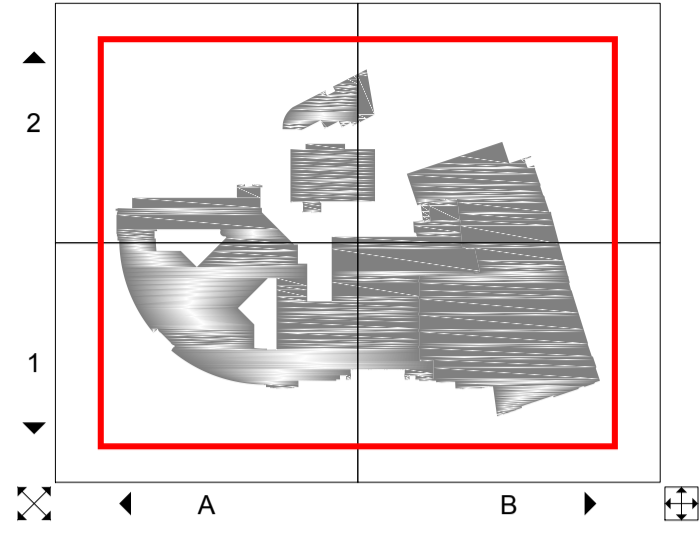
Rev	Description	Drm	Chk	Date
04	Town Hall & Library Update	CC	ARB	28/10/2015
03	Town Hall & Library Combined & Roof Updated	CC	ARB	09/02/2015
02	Roof Plan Added	CC	ARB	06/03/2013
01	Desk Layout Added	CC	ARB	19/11/2010
00	Initial Supply	CC	ARB	07/11/2008



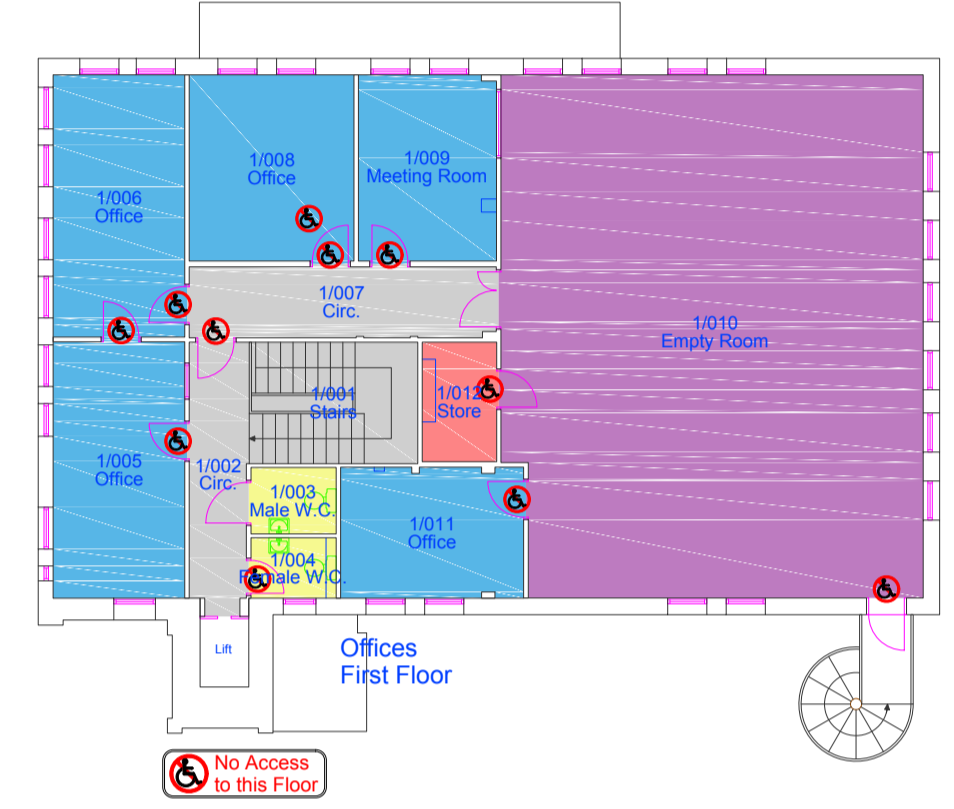
CAD-CAPTURE AssetCapture™ www.assetcapture.net Tel: 01254 504450

Property: Stoke Newington Town Hall & Stoke Newington Library  
Title: Ground Floor Mezzanine Plan

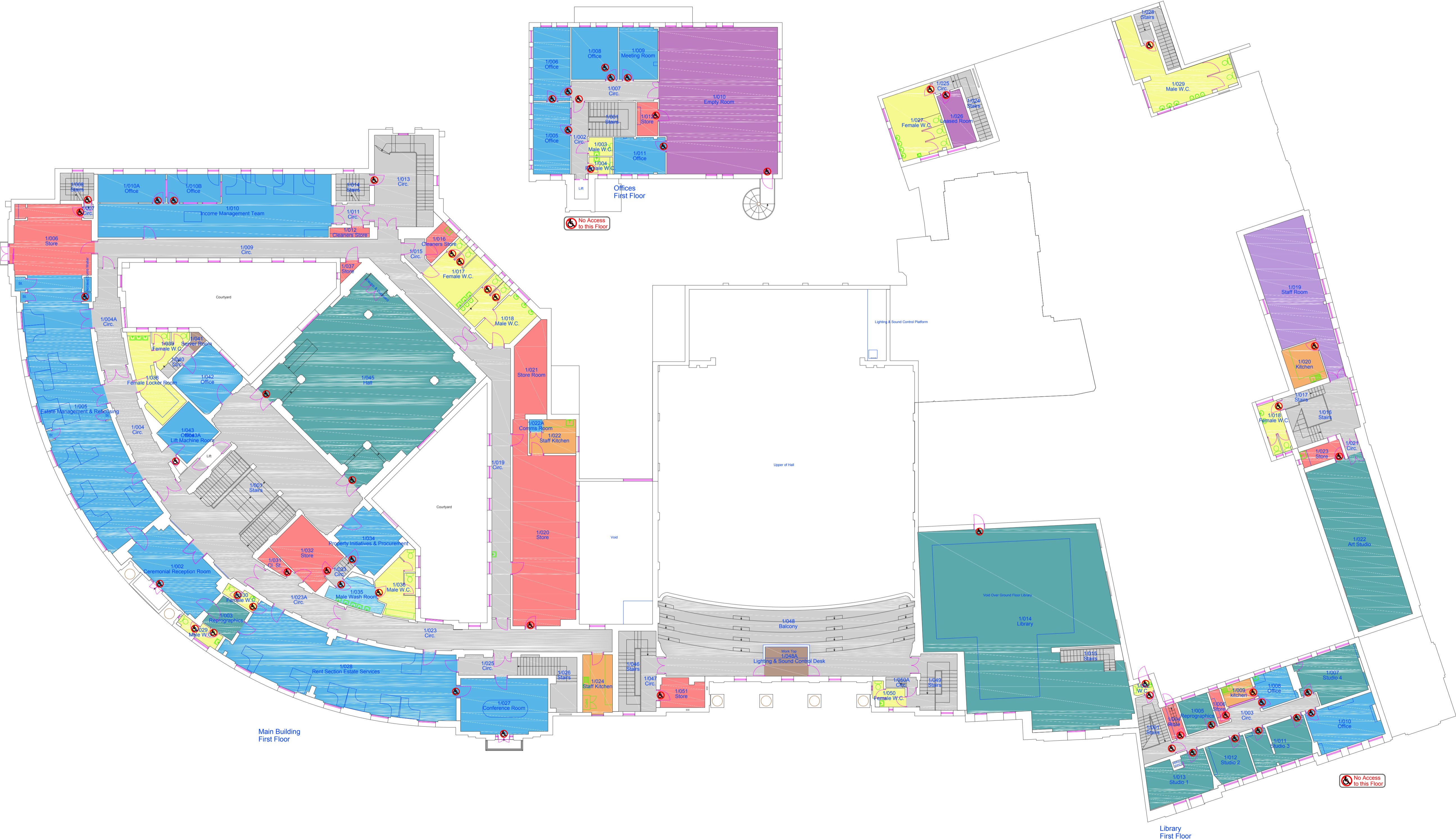
Area Information	Job: S6150
Total Site Area:	Scale: 1:170@A1 1:340@A3
Gross External Area: 10514.6	Date: 28/10/2015
Gross Internal Area: 9622.2	Survey: N/A
Total Room Area: 8587.5	Drawn: CAD-CAPTURE
Net Internal Area: 4076.5	Checked: ARB
Filename: 100023548164.dwg	
Drawing No: 100023548164	



Civil Defence Building First Floor



Offices First Floor



Main Building First Floor

Library First Floor



- Accommodation
- Changing/Cloaks
- Child Care
- Circulation
- Dining
- Kitchen
- Medical
- Office
- Plant
- Recreation
- Resource
- Retail
- Sport/Fitness
- Store
- Toilet
- Training/Teaching
- Unclassified
- Utility
- Vehicle Storage
- Workshop
- Worship

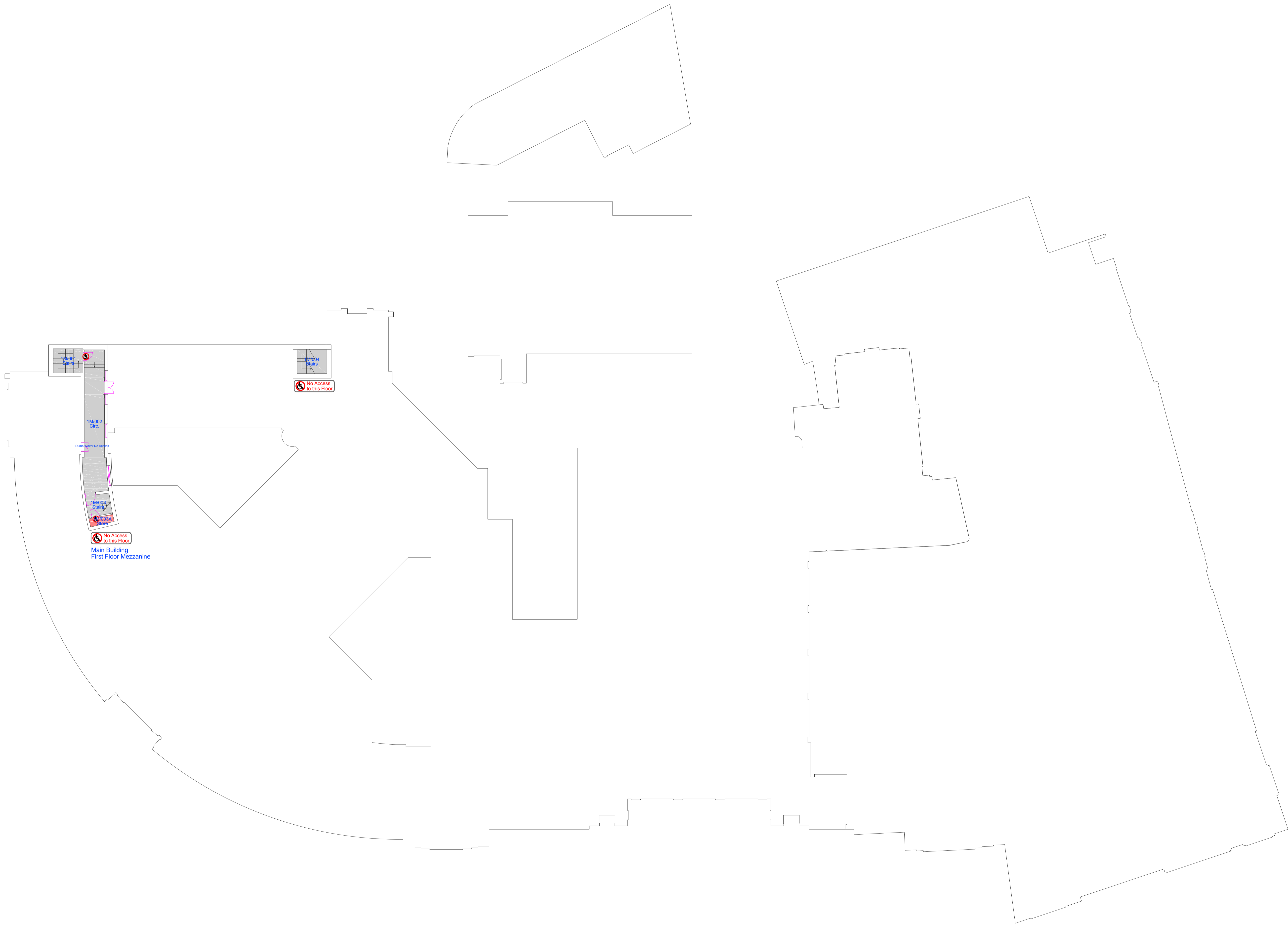
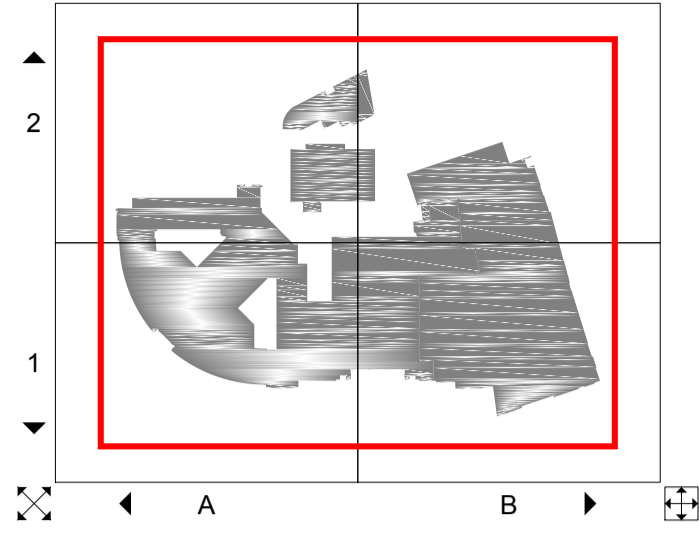
04	Town Hall & Library Update	CC	ARB	28/10/2015
03	Town Hall & Library Combined & Roof Updated	CC	ARB	09/02/2015
02	Roof Plan Added	CC	ARB	06/03/2013
01	Desk Layout Added	CC	ARB	19/11/2010
00	Initial Supply	CC	ARB	07/11/2008
Rev	Description	Drn	Chk	Date



Property: Stoke Newington Town Hall & Stoke Newington Library  
 Title: First Floor Plan

Area Information	Job: S6150
Total Site Area:	Scale: 1:170@A1 1:340@A3
Gross External Area: 10514.6	Date: 28/10/2015
Gross Internal Area: 9622.2	Survey: N/A
Total Room Area: 8587.5	Drawn: CAD-CAPTURE
Net Internal Area: 4076.5	Checked: ARB
Filename: 100023548164.dwg	
Drawing No: 100023548164	

DO NOT SCALE FROM DRAWING. ALL DIMENSIONS MUST BE TAKEN ON SITE.



Accommodation	Retail
Changing/Cloaks	Sport/Fitness
Child Care	Store
Circulation	Toilet
Dining	Training/Teaching
Kitchen	Unclassified
Medical	Utility
Office	Vehicle Storage
Plant	Workshop
Recreation	Worship
Resource	

04	Town Hall & Library Update	CC	ARB	28/10/2015
03	Town Hall & Library Combined & Roof Updated	CC	ARB	09/02/2015
02	Roof Plan Added	CC	ARB	06/03/2013
01	Desk Layout Added	CC	ARB	19/11/2010
00	Initial Supply	CC	ARB	07/11/2008
Rev	Description	Drn	Chk	Date

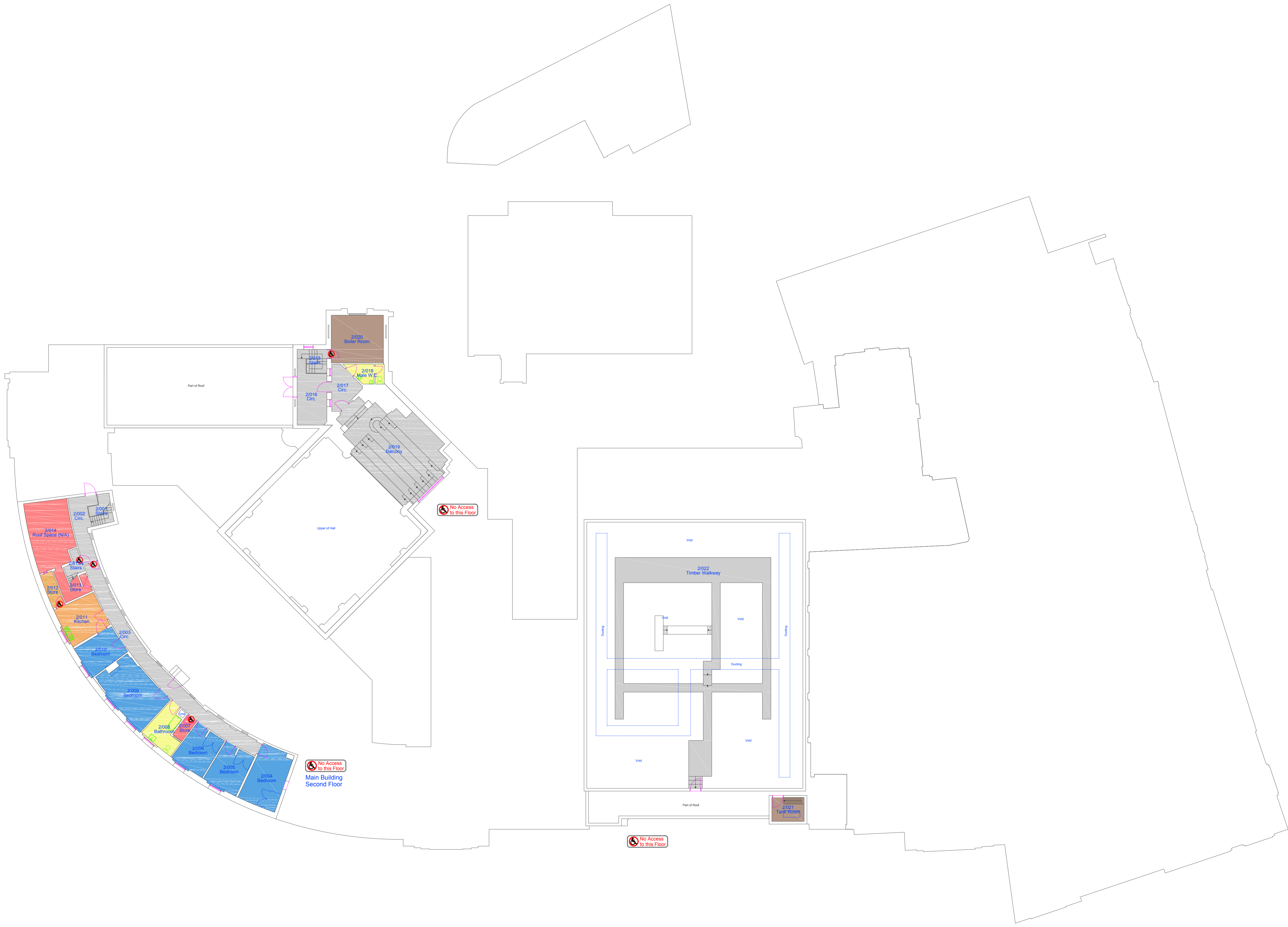
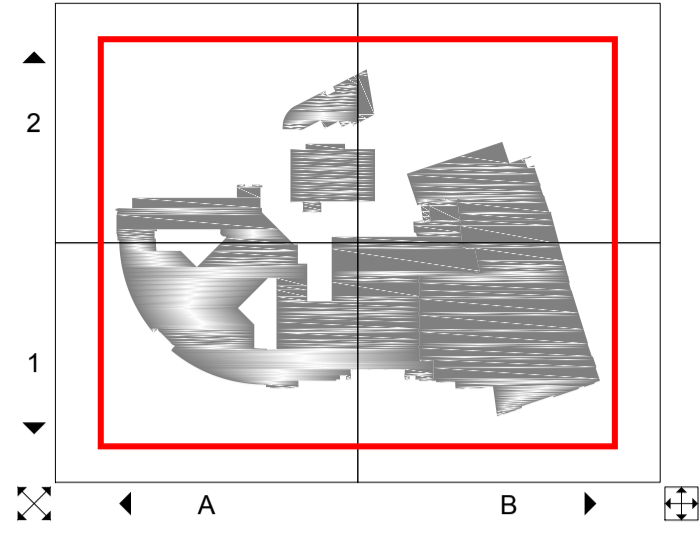


CAD-CAPTURE AssetCapture™ www.assetcapture.net Tel: 01254 504450

Property: **Stoke Newington Town Hall & Stoke Newington Library**  
 Title: **First Floor Mezzanine Plan**

<b>Area Information</b>	Job: S6150
Total Site Area:	Scale: 1:170@A1 1:340@A3
Gross External Area: 10514.6	Date: 28/10/2015
Gross Internal Area: 9622.2	Survey: N/A
Total Room Area: 8587.5	Drawn: CAD-CAPTURE
Net Internal Area: 4076.5	Checked: ARB
Filename: 100023548164.dwg	
Drawing No: 100023548164	

DO NOT SCALE FROM DRAWING. ALL DIMENSIONS MUST BE TAKEN ON SITE.



Accommodation	Retail
Changing/Cloaks	Sport/Fitness
Child Care	Store
Circulation	Toilet
Dining	Training/Teaching
Kitchen	Unclassified
Medical	Utility
Office	Vehicle Storage
Plant	Workshop
Recreation	Worship
Resource	

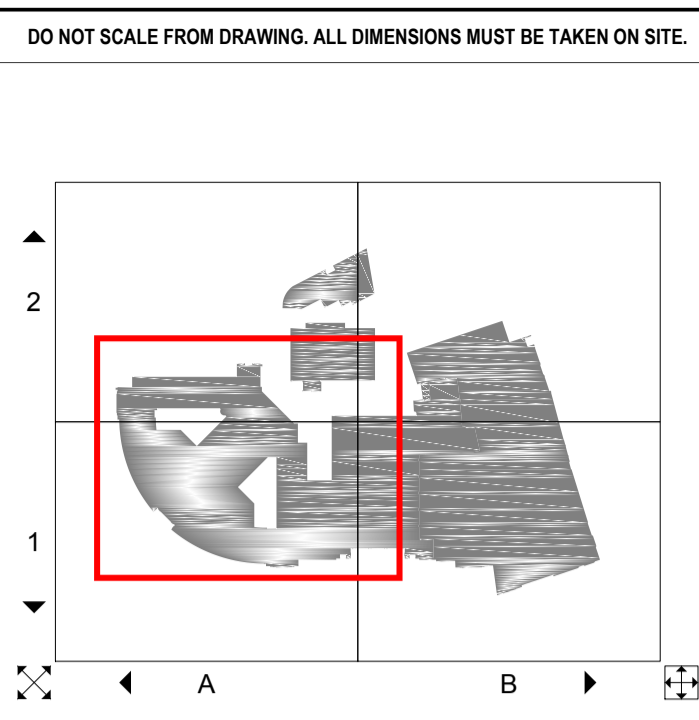
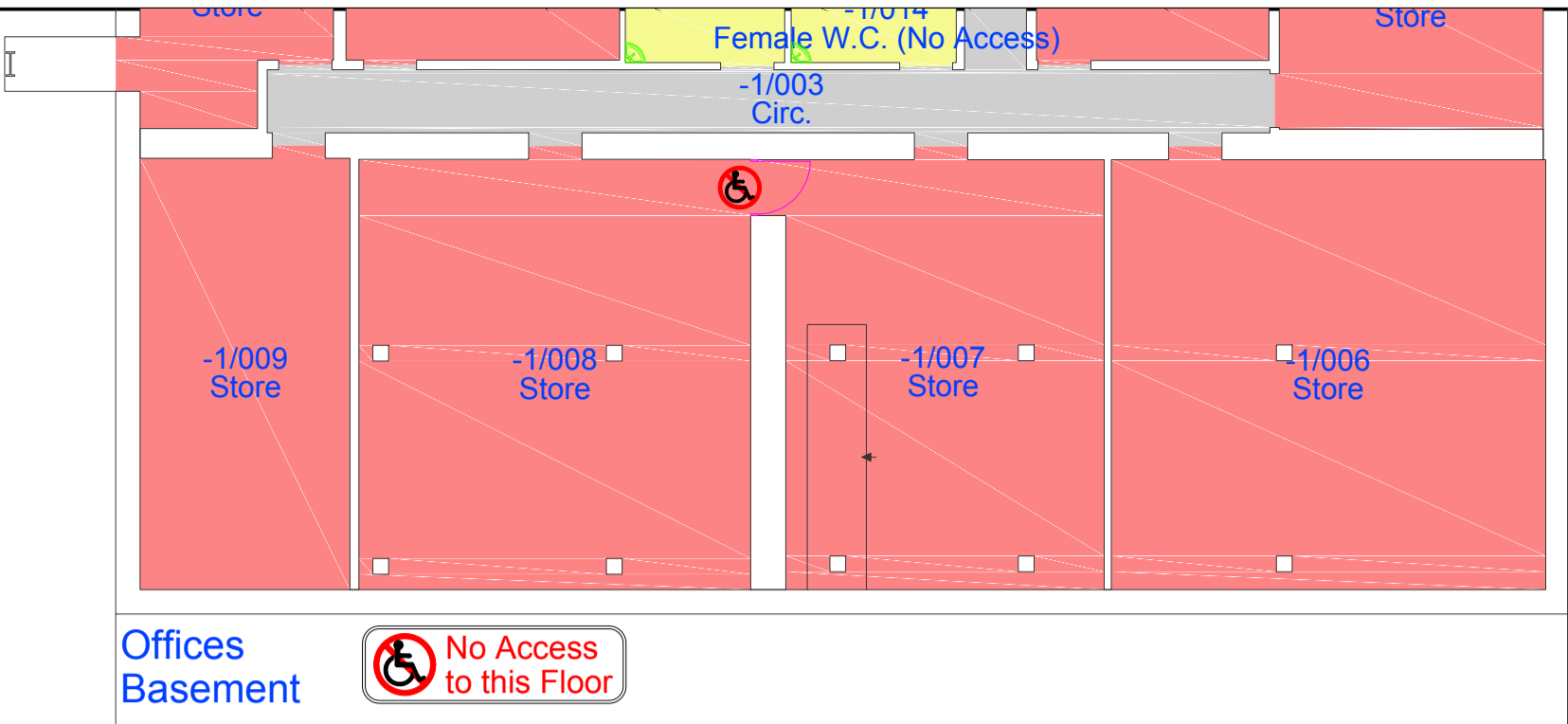
04	Town Hall & Library Update	CC	ARB	28/10/2015
03	Town Hall & Library Combined & Roof Updated	CC	ARB	09/02/2015
02	Roof Plan Added	CC	ARB	06/03/2013
01	Desk Layout Added	CC	ARB	19/11/2010
00	Initial Supply	CC	ARB	07/11/2008
Rev	Description	Drm	Chk	Date



CAD-CAPTURE AssetCapture™ www.assetcapture.net Tel: 01254 504450

Property: **Stoke Newington Town Hall & Stoke Newington Library**  
 Title: **Second Floor Plan**

<b>Area Information</b>	Job: S6150
Total Site Area:	Scale: 1:170@A1 1:340@A3
Gross External Area: 10514.6	Date: 28/10/2015
Gross Internal Area: 9622.2	Survey: N/A
Total Room Area: 8587.5	Drawn: CAD-CAPTURE
Net Internal Area: 4076.5	Checked: ARB
Filename: 100023548164.dwg	
Drawing No: 100023548164	



DO NOT SCALE FROM DRAWING. ALL DIMENSIONS MUST BE TAKEN ON SITE.



Accommodation	Retail
Changing/Cloaks	Sport/Fitness
Child Care	Store
Circulation	Toilet
Dining	Training/Teaching
Kitchen	Unclassified
Medical	Utility
Office	Vehicle Storage
Plant	Workshop
Recreation	Worship
Resource	

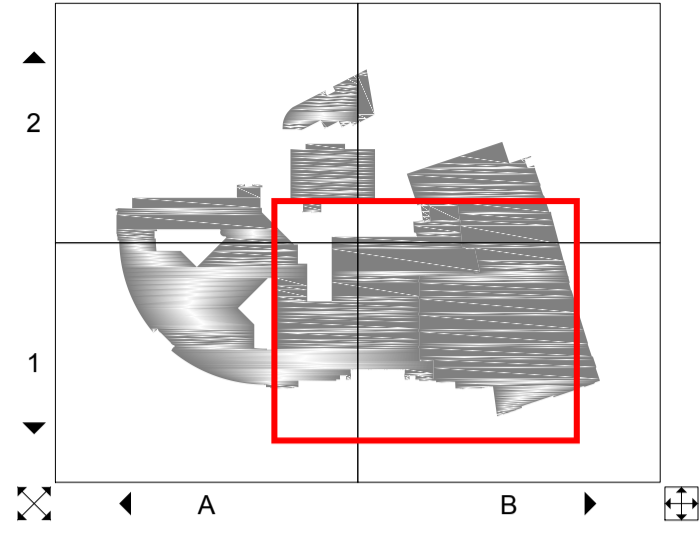
Rev	Description	Drm	Chk	Date
04	Town Hall & Library Update	CC	ARB	28/10/2015
03	Town Hall & Library Combined & Roof Updated	CC	ARB	09/02/2015
02	Roof Plan Added	CC	ARB	06/03/2013
01	Desk Layout Added	CC	ARB	19/11/2010
00	Initial Supply	CC	ARB	07/11/2008



Property: Stoke Newington Town Hall & Stoke Newington Library  
 Title: Basement Plan Sheet 1

Area Information	Job: S6150
Total Site Area:	Scale: 1:100@A1 1:200@A3
Gross External Area: 10514.6	Date: 28/10/2015
Gross Internal Area: 9622.2	Survey: N/A
Total Room Area: 8587.5	Drawn: CAD-CAPTURE
Net Internal Area: 4076.5	Checked: ARB
Filename: 100023548164.dwg	
Drawing No: 100023548164	

DO NOT SCALE FROM DRAWING. ALL DIMENSIONS MUST BE TAKEN ON SITE.



Accommodation	Retail
Changing/Cloaks	Sport/Fitness
Child Care	Store
Circulation	Toilet
Dining	Training/Teaching
Kitchen	Unclassified
Medical	Utility
Office	Vehicle Storage
Plant	Workshop
Recreation	Worship
Resource	

Rev	Description	Drm	Chk	Date
04	Town Hall & Library Update	CC	ARB	28/10/2015
03	Town Hall & Library Combined & Roof Updated	CC	ARB	09/02/2015
02	Roof Plan Added	CC	ARB	06/03/2013
01	Desk Layout Added	CC	ARB	19/11/2010
00	Initial Supply	CC	ARB	07/11/2008



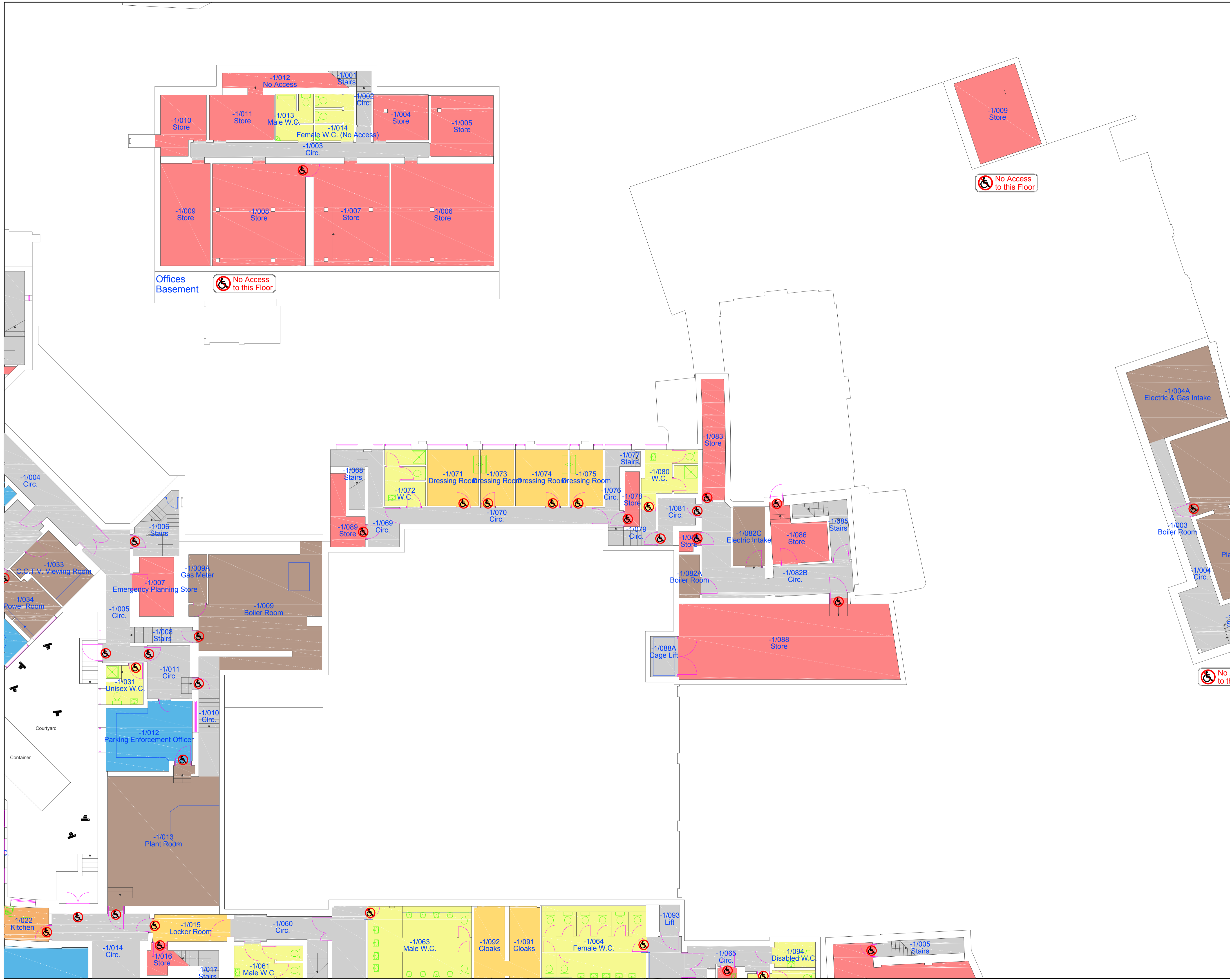
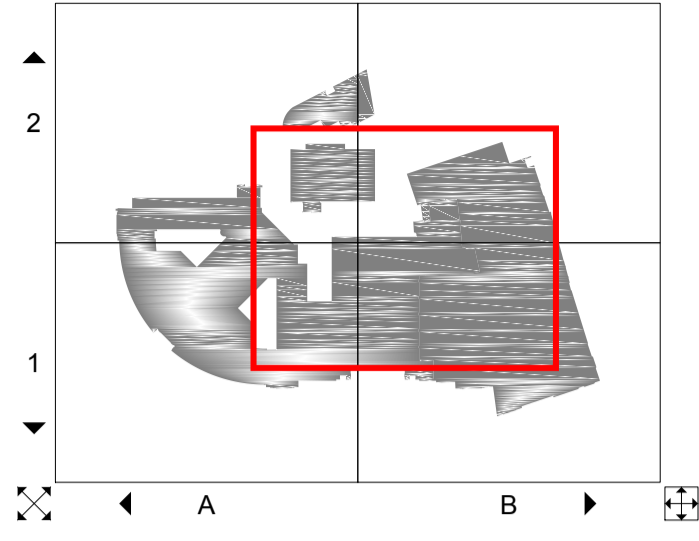
Property: **Stoke Newington Town Hall & Stoke Newington Library**  
 Title: **Basement Plan Sheet 2**

Area Information	Job: S6150
Total Site Area:	Scale: 1:100@A1 1:200@A3
Gross External Area: 10514.6	Date: 28/10/2015
Gross Internal Area: 9622.2	Survey: N/A
Total Room Area: 8587.5	Drawn: CAD-CAPTURE
Net Internal Area: 4076.5	Checked: ARB
Filename: 100023548164.dwg	
Drawing No: 100023548164	

Library Basement No Access to this Floor



DO NOT SCALE FROM DRAWING. ALL DIMENSIONS MUST BE TAKEN ON SITE.



Accommodation	Retail
Changing/Cloaks	Sport/Fitness
Child Care	Store
Circulation	Toilet
Dining	Training/Teaching
Kitchen	Unclassified
Medical	Utility
Office	Vehicle Storage
Plant	Workshop
Recreation	Worship
Resource	

Rev	Description	Drm	Chk	Date
04	Town Hall & Library Update	CC	ARB	28/10/2015
03	Town Hall & Library Combined & Roof Updated	CC	ARB	09/02/2015
02	Roof Plan Added	CC	ARB	06/03/2013
01	Desk Layout Added	CC	ARB	19/11/2010
00	Initial Supply	CC	ARB	07/11/2008

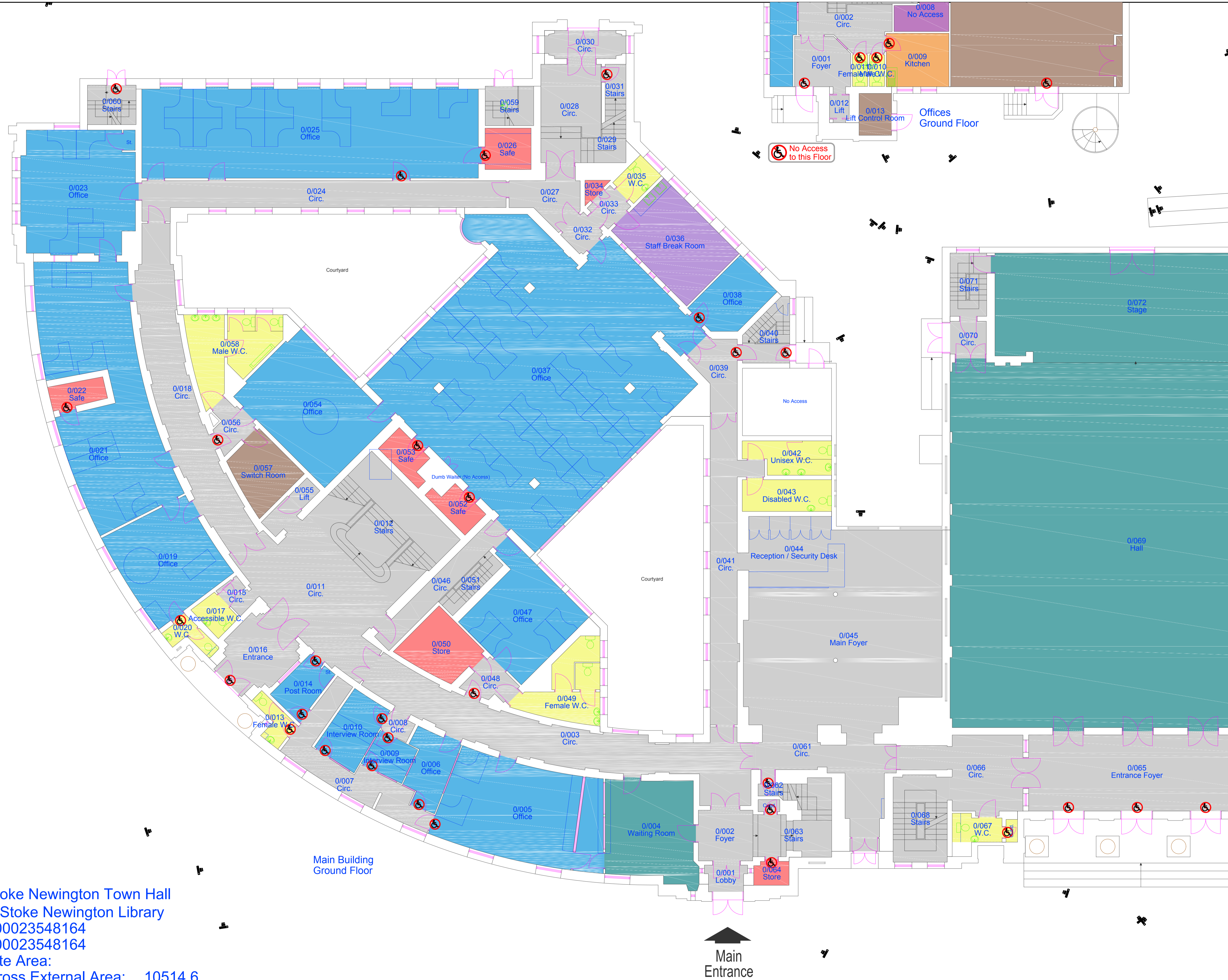
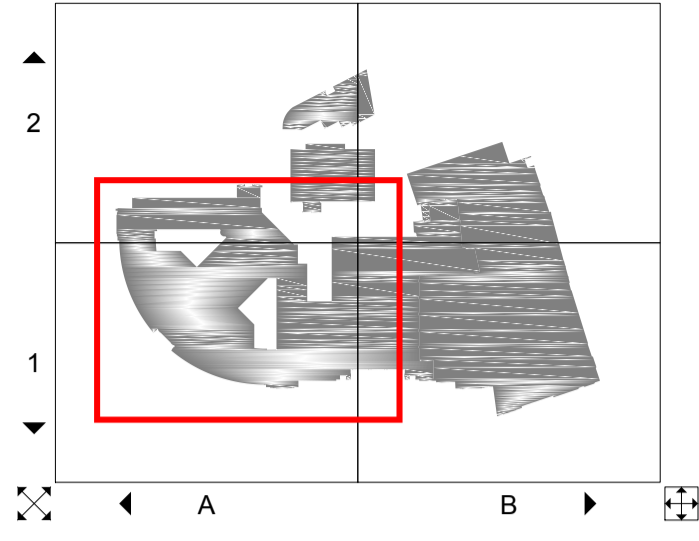


CAD-CAPTURE AssetCapture™ www.assetcapture.net Tel: 01254 504450

Property: Stoke Newington Town Hall & Stoke Newington Library  
 Title: Basement Plan Sheet 3

<b>Area Information</b>	Job: S6150
Total Site Area:	Scale: 1:100@A1 1:200@A3
Gross External Area: 10514.6	Date: 28/10/2015
Gross Internal Area: 9622.2	Survey: N/A
Total Room Area: 8587.5	Drawn: CAD-CAPTURE
Net Internal Area: 4076.5	Checked: ARB
Filename: 100023548164.dwg	
Drawing No: 100023548164	

DO NOT SCALE FROM DRAWING. ALL DIMENSIONS MUST BE TAKEN ON SITE.



Accommodation	Retail
Changing/Cloaks	Sport/Fitness
Child Care	Store
Circulation	Toilet
Dining	Training/Teaching
Kitchen	Unclassified
Medical	Utility
Office	Vehicle Storage
Plant	Workshop
Recreation	Worship
Resource	

04	Town Hall & Library Update	CC	ARB	28/10/2015
03	Town Hall & Library Combined & Roof Updated	CC	ARB	09/02/2015
02	Roof Plan Added	CC	ARB	06/03/2013
01	Desk Layout Added	CC	ARB	19/11/2010
00	Initial Supply	CC	ARB	07/11/2008
Rev	Description	Drn	Chk	Date



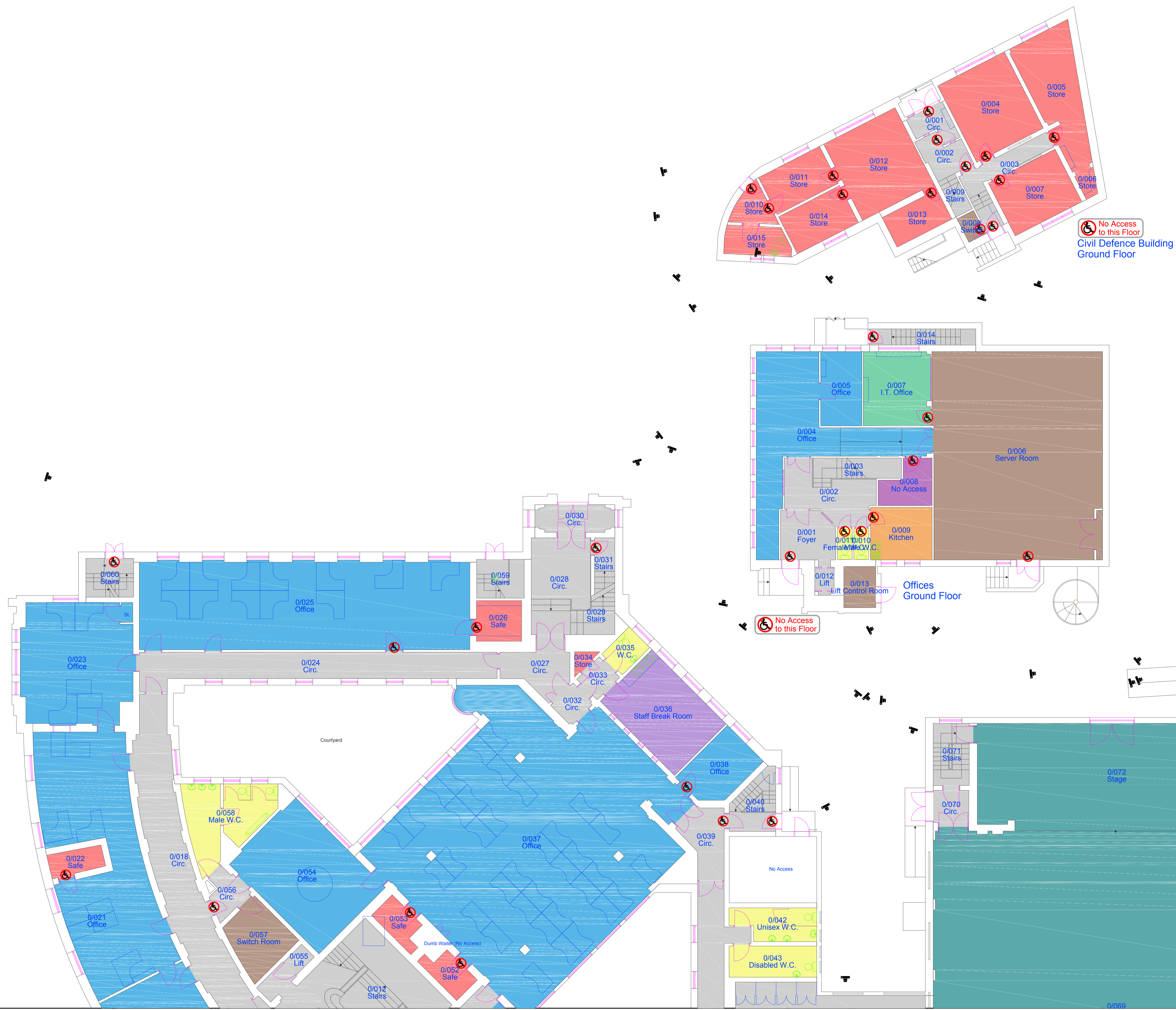
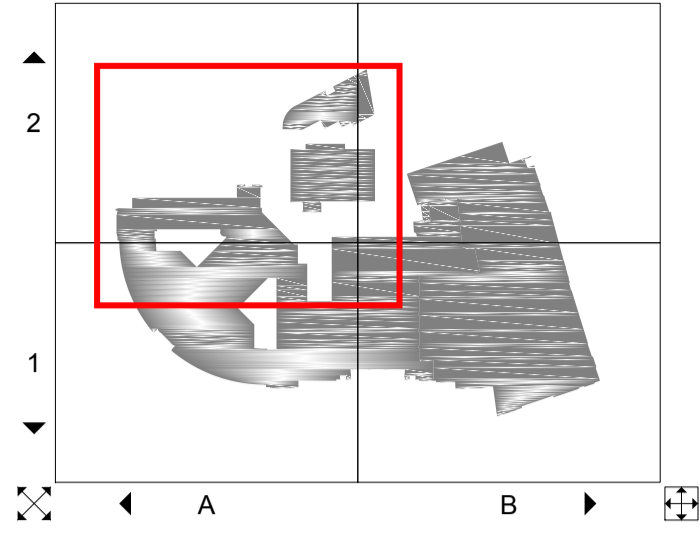
Property: Stoke Newington Town Hall & Stoke Newington Library  
 Title: Ground Floor Plan Sheet 1

Area Information		Job:	S6150
Total Site Area:	10514.6	Scale:	1:100@A1 1:200@A3
Gross External Area:	9622.2	Date:	28/10/2015
Gross Internal Area:	8587.5	Survey:	N/A
Total Room Area:	4076.5	Drawn:	CAD-CAPTURE
Net Internal Area:		Checked:	ARB
Filename:	100023548164.dwg		
Drawing No:	100023548164		

Stoke Newington Town Hall  
 & Stoke Newington Library  
 100023548164  
 100023548164  
 Site Area:  
 Gross External Area: 10514.6  
 Gross Internal Area: 9622.2  
 Total Room Area: 8587.5  
 Net Internal Area: 4076.5

Main Entrance

DO NOT SCALE FROM DRAWING. ALL DIMENSIONS MUST BE TAKEN ON SITE.



No Access to this Floor  
Civil Defence Building Ground Floor

No Access to this Floor

Offices Ground Floor

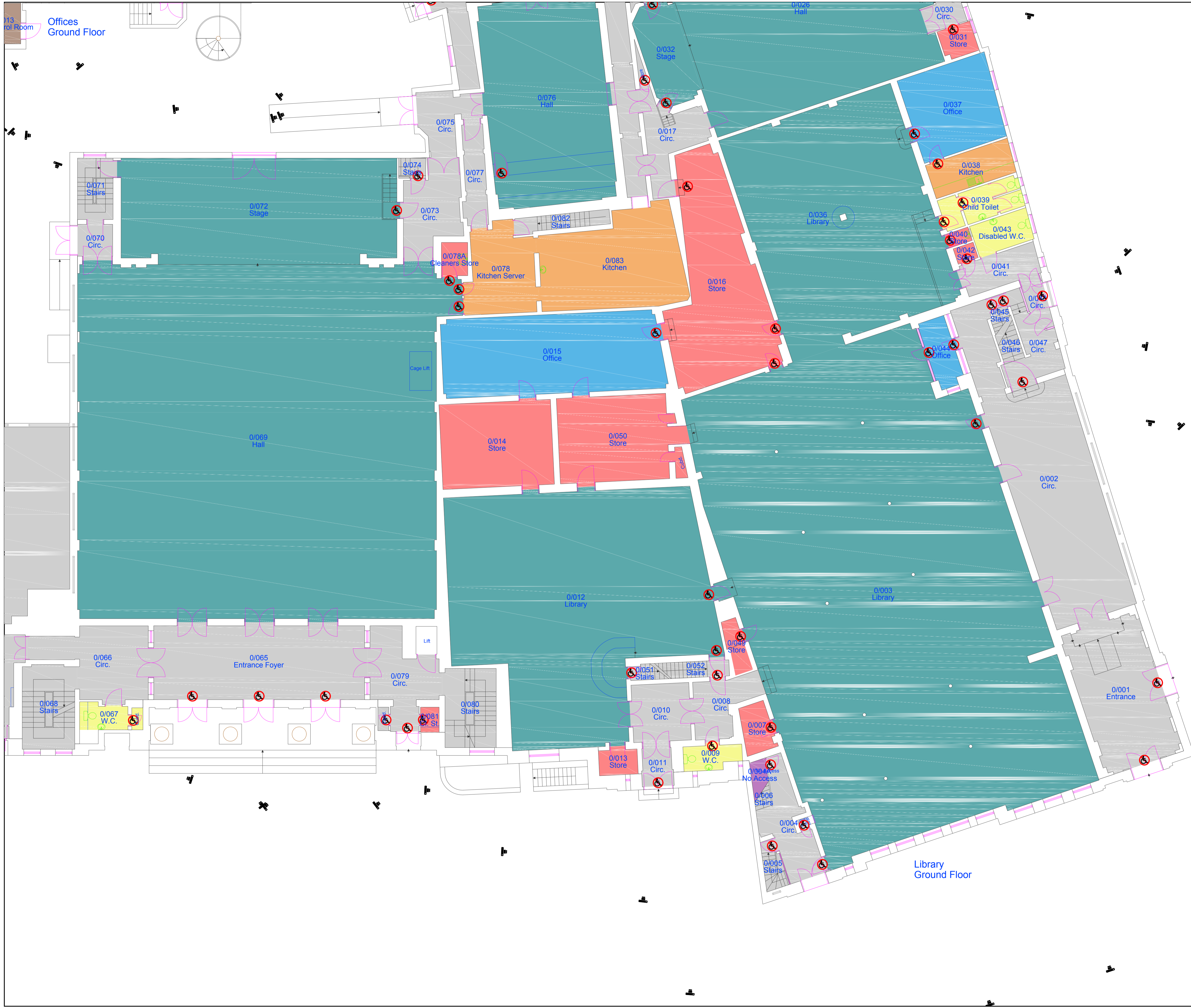


Accommodation	Retail
Changing/Cloaks	Sport/Fitness
Child Care	Store
Circulation	Toilet
Dining	Training/Teaching
Kitchen	Unclassified
Medical	Utility
Office	Vehicle Storage
Plant	Workshop
Recreation	Worship
Resource	

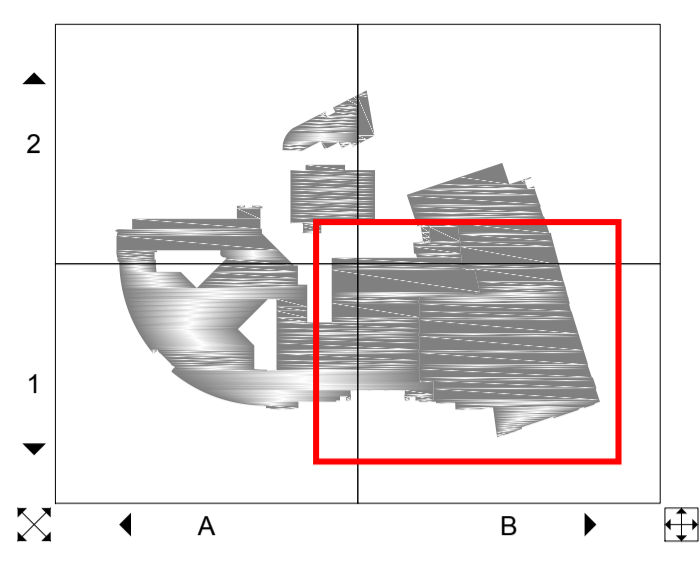
04	Town Hall & Library Update	CC	ARB	28/10/2015
03	Town Hall & Library Combined & Roof Updated	CC	ARB	09/02/2015
02	Roof Plan Added	CC	ARB	06/03/2013
01	Desk Layout Added	CC	ARB	19/11/2010
00	Initial Supply	CC	ARB	07/11/2008
Rev	Description	Drn	Chk	Date



Property:	Stoke Newington Town Hall & Stoke Newington Library
Title:	Ground Floor Plan Sheet 2
Area Information	Job: S6150
Total Site Area:	Scale: 1:100@A1 1:200@A3
Gross External Area:	10514.6 Date: 28/10/2015
Gross Internal Area:	9622.2 Survey: N/A
Total Room Area:	8587.5 Drawn: CAD-CAPTURE
Net Internal Area:	4076.5 Checked: ARB
Filename:	100023548164.dwg
Drawing No:	100023548164



DO NOT SCALE FROM DRAWING. ALL DIMENSIONS MUST BE TAKEN ON SITE.



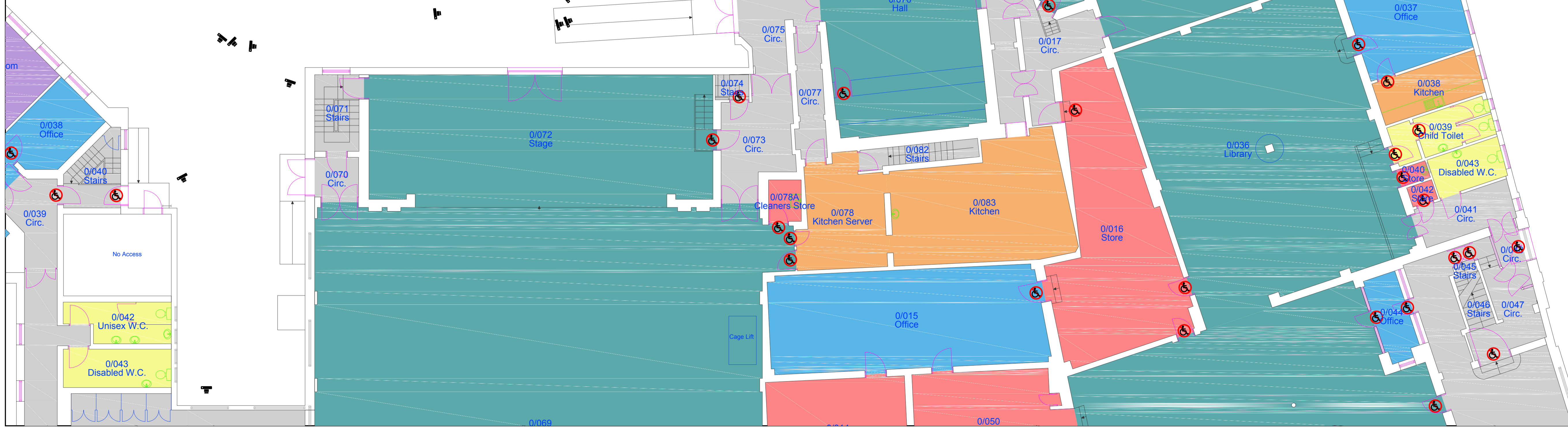
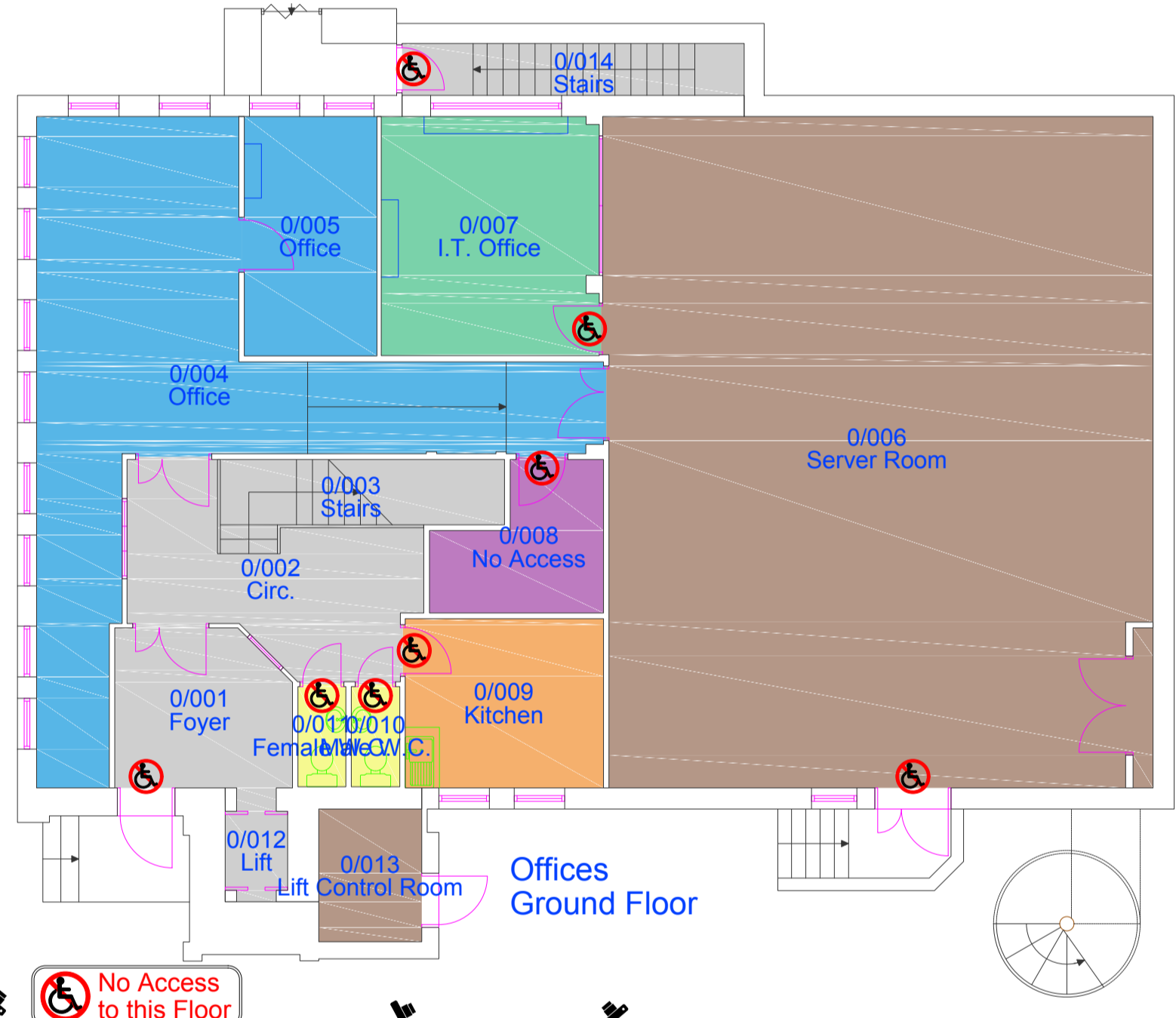
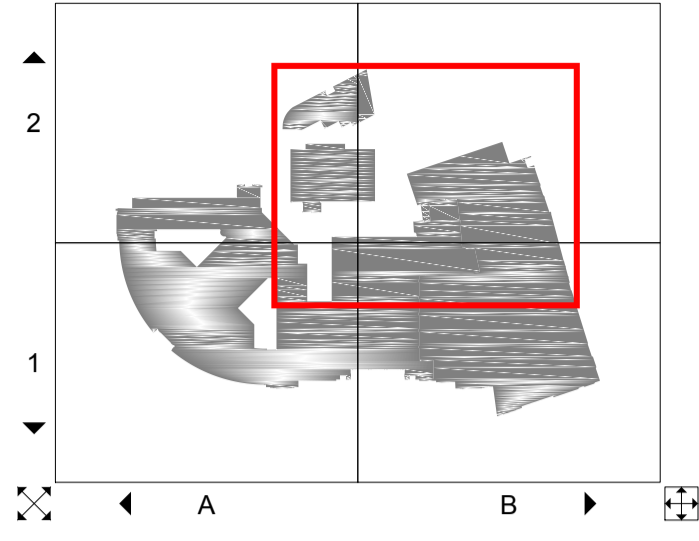
Accommodation	Retail
Changing/Cloaks	Sport/Fitness
Child Care	Store
Circulation	Toilet
Dining	Training/Teaching
Kitchen	Unclassified
Medical	Utility
Office	Vehicle Storage
Plant	Workshop
Recreation	Worship
Resource	

04	Town Hall & Library Update	CC	ARB	28/10/2015
03	Town Hall & Library Combined & Roof Updated	CC	ARB	09/02/2015
02	Roof Plan Added	CC	ARB	06/03/2013
01	Desk Layout Added	CC	ARB	19/11/2010
00	Initial Supply	CC	ARB	07/11/2008
Rev	Description	Drn	Chk	Date



Property: Stoke Newington Town Hall & Stoke Newington Library  
 Title: Ground Floor Plan Sheet 3

<b>Area Information</b>	Job: S6150
Total Site Area:	Scale: 1:100@A1 1:200@A3
Gross External Area: 10514.6	Date: 28/10/2015
Gross Internal Area: 9622.2	Survey: N/A
Total Room Area: 8587.5	Drawn: CAD-CAPTURE
Net Internal Area: 4076.5	Checked: ARB
Filename: 100023548164.dwg	
Drawing No: 100023548164	



Accommodation	Retail
Changing/Cloaks	Sport/Fitness
Child Care	Store
Circulation	Toilet
Dining	Training/Teaching
Kitchen	Unclassified
Medical	Utility
Office	Vehicle Storage
Plant	Workshop
Recreation	Worship
Resource	

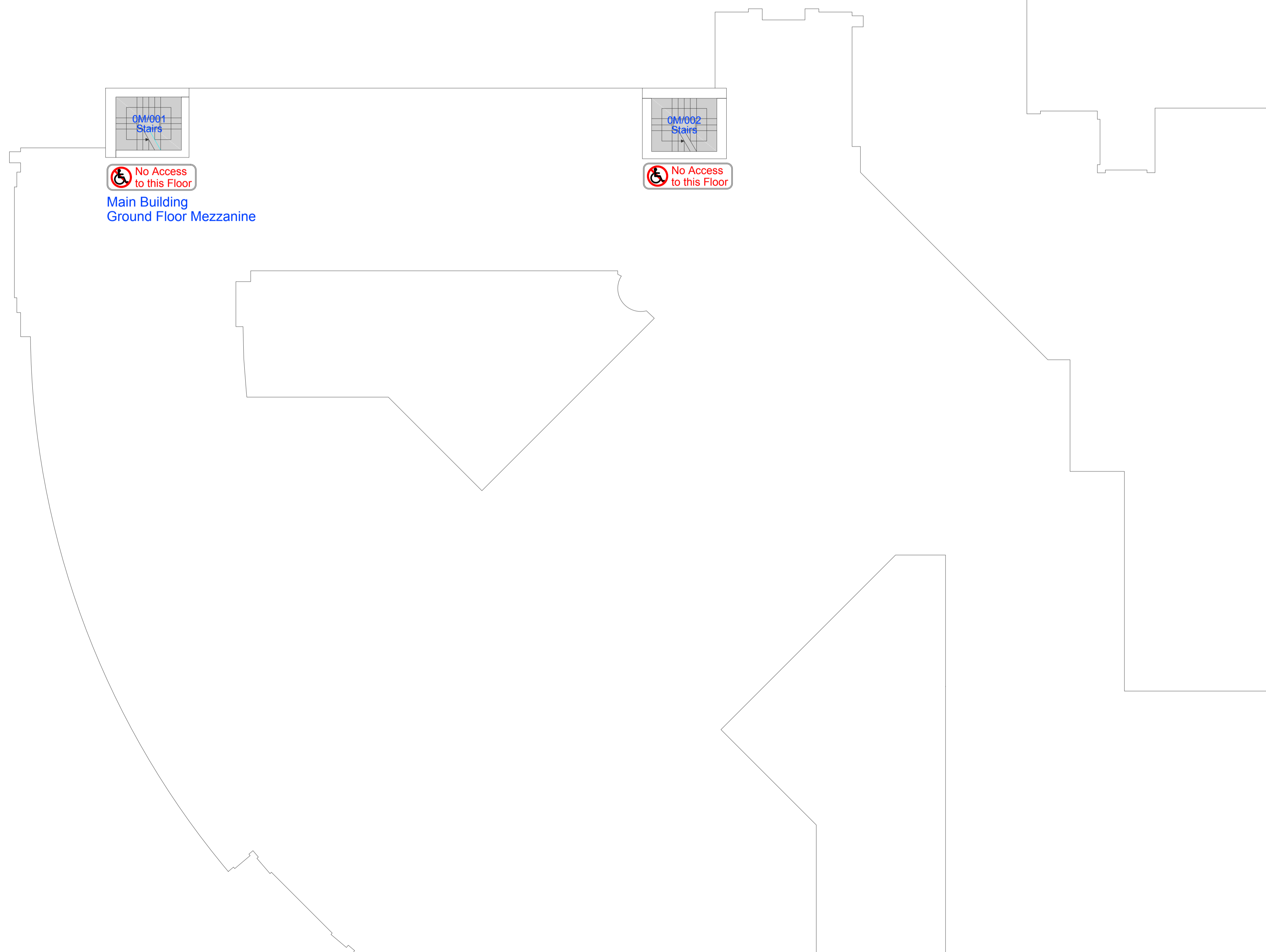
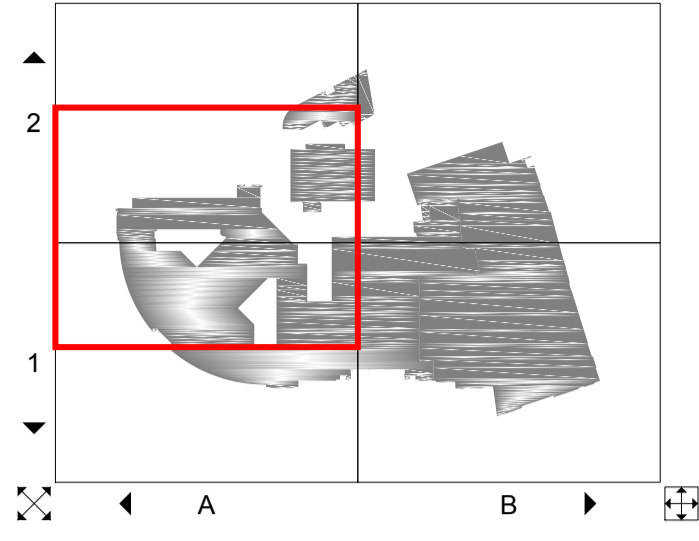
Rev	Description	Drn	Chk	Date
04	Town Hall & Library Update	CC	ARB	28/10/2015
03	Town Hall & Library Combined & Roof Updated	CC	ARB	09/02/2015
02	Roof Plan Added	CC	ARB	06/03/2013
01	Desk Layout Added	CC	ARB	19/11/2010
00	Initial Supply	CC	ARB	07/11/2008



Property: **Stoke Newington Town Hall & Stoke Newington Library**  
 Title: **Ground Floor Plan Sheet 4**

<b>Area Information</b>	Job: S6150
Total Site Area:	Scale: 1:100@A1 1:200@A3
Gross External Area: 10514.6	Date: 28/10/2015
Gross Internal Area: 9622.2	Survey: N/A
Total Room Area: 8587.5	Drawn: CAD-CAPTURE
Net Internal Area: 4076.5	Checked: ARB
Filename: 100023548164.dwg	
Drawing No: 100023548164	

DO NOT SCALE FROM DRAWING. ALL DIMENSIONS MUST BE TAKEN ON SITE.



Accommodation	Retail
Changing/Cloaks	Sport/Fitness
Child Care	Store
Circulation	Toilet
Dining	Training/Teaching
Kitchen	Unclassified
Medical	Utility
Office	Vehicle Storage
Plant	Workshop
Recreation	Worship
Resource	

04	Town Hall & Library Update	CC	ARB	28/10/2015
03	Town Hall & Library Combined & Roof Updated	CC	ARB	09/02/2015
02	Roof Plan Added	CC	ARB	06/03/2013
01	Desk Layout Added	CC	ARB	19/11/2010
00	Initial Supply	CC	ARB	07/11/2008
Rev	Description	Drn	Chk	Date

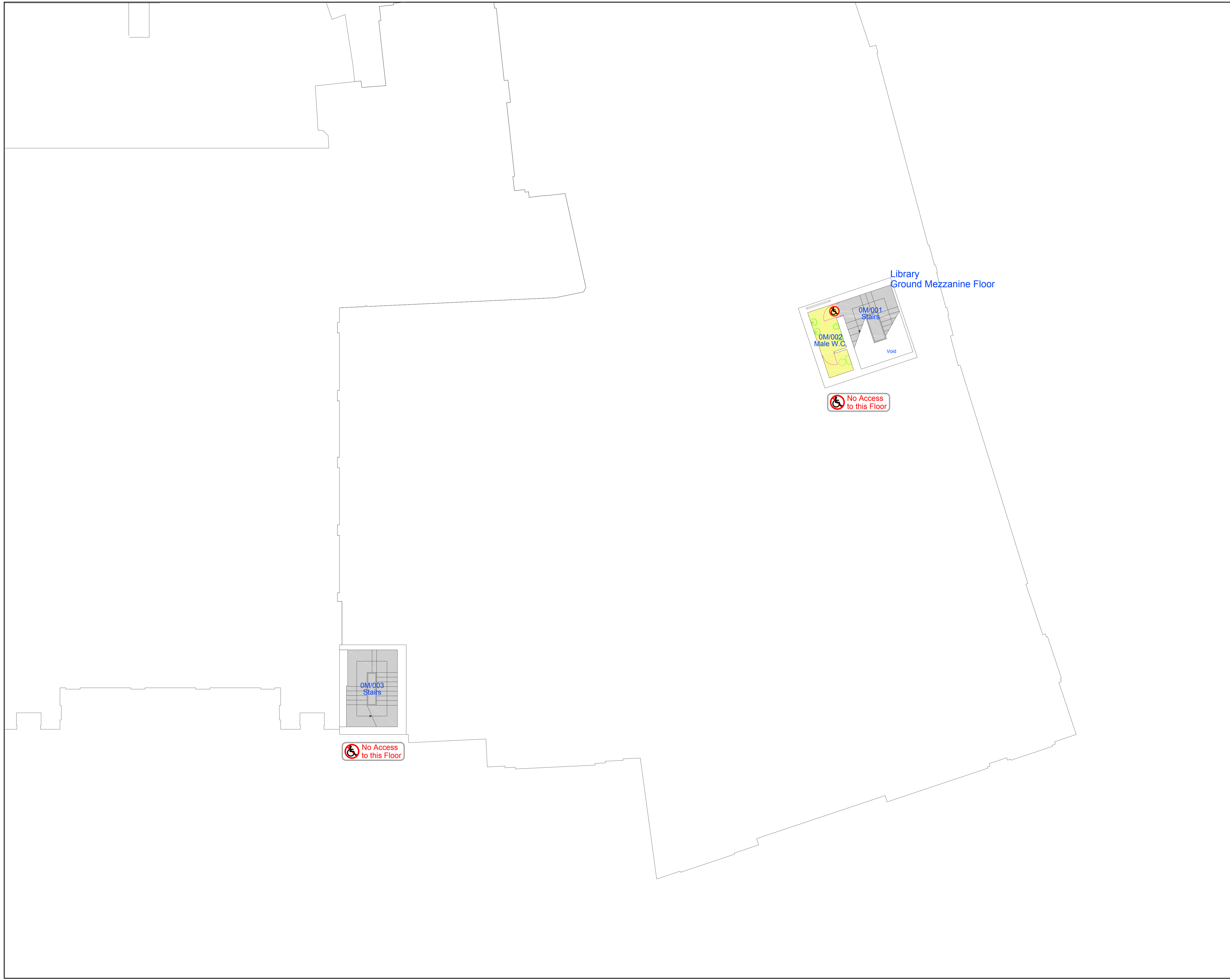
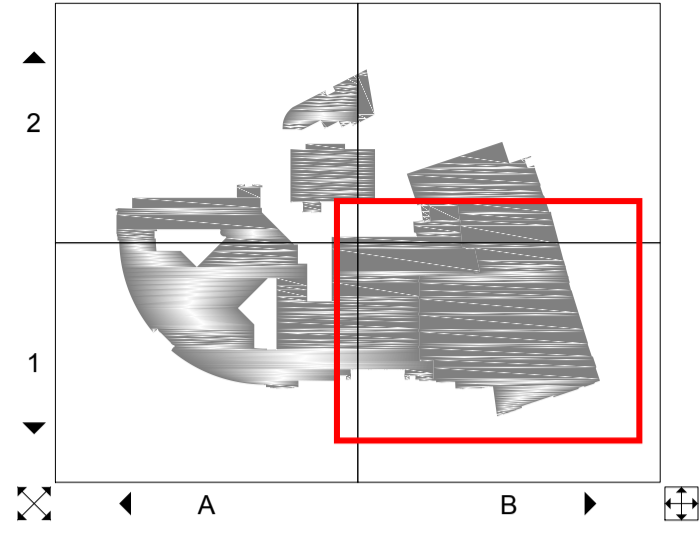


CAD-CAPTURE AssetCapture™ www.assetcapture.net Tel: 01254 504450

Property: Stoke Newington Town Hall & Stoke Newington Library  
 Title: Ground Floor Mezzanine Plan Sheet 1

<b>Area Information</b>	Job: S6150
Total Site Area:	Scale: 1:100@A1 1:200@A3
Gross External Area: 10514.6	Date: 28/10/2015
Gross Internal Area: 9622.2	Survey: N/A
Total Room Area: 8587.5	Drawn: CAD-CAPTURE
Net Internal Area: 4076.5	Checked: ARB
Filename: 100023548164.dwg	
Drawing No: 100023548164	

DO NOT SCALE FROM DRAWING. ALL DIMENSIONS MUST BE TAKEN ON SITE.



Accommodation	Retail
Changing/Cloaks	Sport/Fitness
Child Care	Store
Circulation	Toilet
Dining	Training/Teaching
Kitchen	Unclassified
Medical	Utility
Office	Vehicle Storage
Plant	Workshop
Recreation	Worship
Resource	

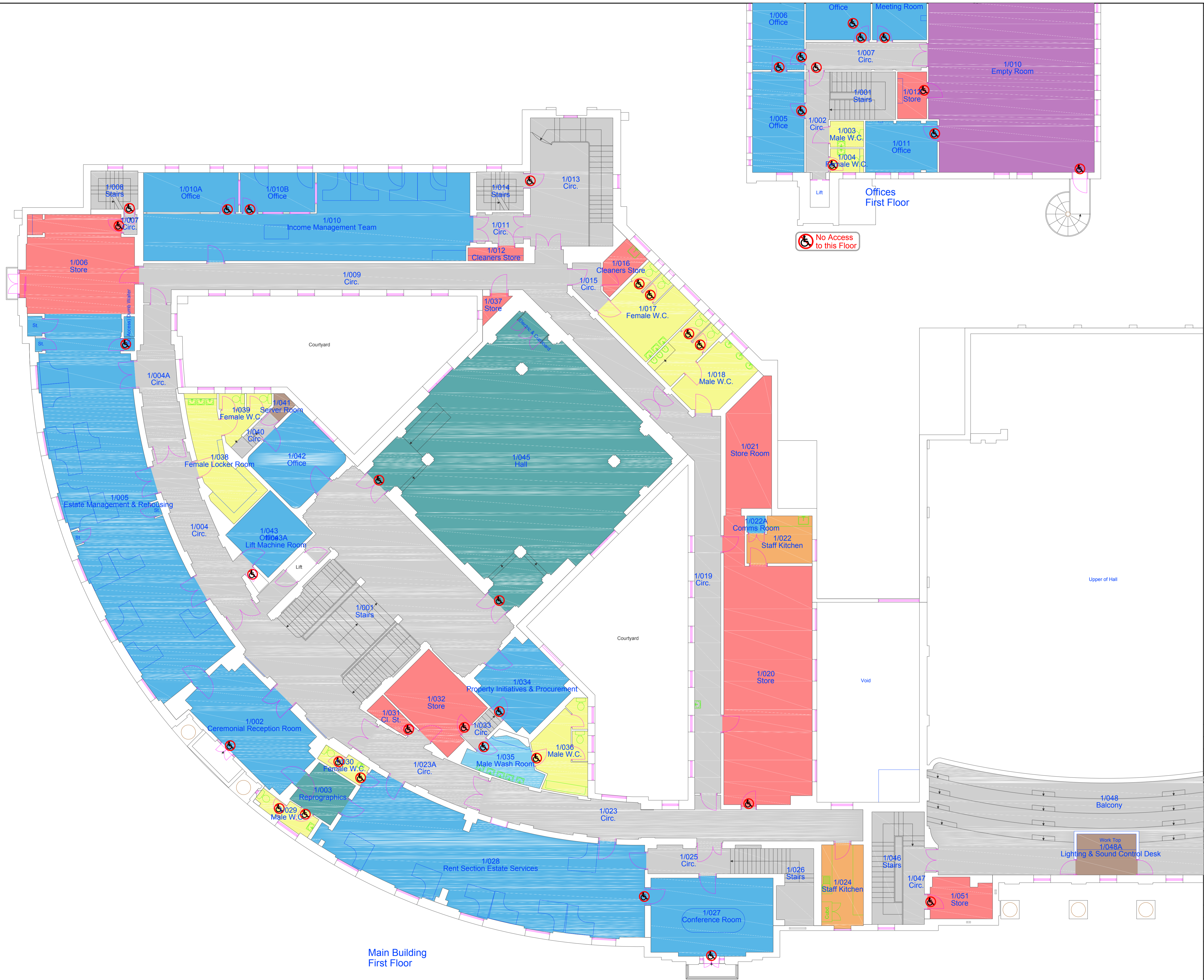
Rev	Description	Drn	Chk	Date
04	Town Hall & Library Update	CC	ARB	28/10/2015
03	Town Hall & Library Combined & Roof Updated	CC	ARB	09/02/2015
02	Roof Plan Added	CC	ARB	06/03/2013
01	Desk Layout Added	CC	ARB	19/11/2010
00	Initial Supply	CC	ARB	07/11/2008



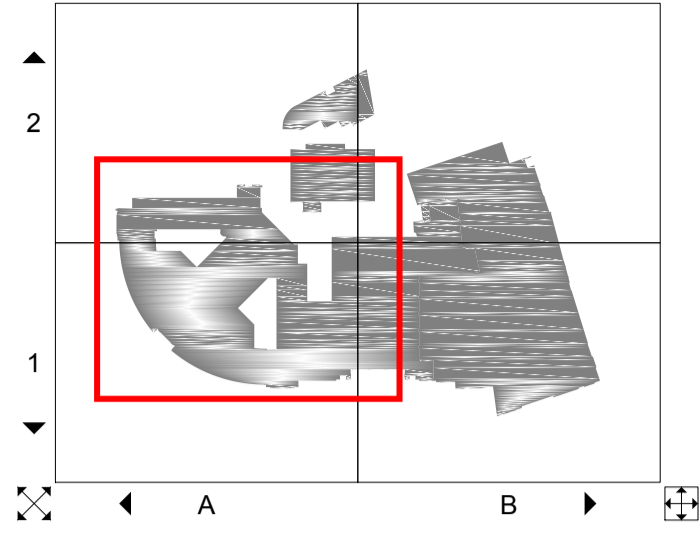
CAD-CAPTURE AssetCapture™ www.assetcapture.net Tel: 01254 504450

Property: Stoke Newington Town Hall & Stoke Newington Library  
 Title: Ground Floor Mezzanine Plan Sheet 2

<b>Area Information</b>	Job: S6150
Total Site Area:	Scale: 1:100@A1 1:200@A3
Gross External Area: 10514.6	Date: 28/10/2015
Gross Internal Area: 9622.2	Survey: N/A
Total Room Area: 8587.5	Drawn: CAD-CAPTURE
Net Internal Area: 4076.5	Checked: ARB
Filename: 100023548164.dwg	
Drawing No: 100023548164	



DO NOT SCALE FROM DRAWING. ALL DIMENSIONS MUST BE TAKEN ON SITE.



Accommodation	Retail
Changing/Cloaks	Sport/Fitness
Child Care	Store
Circulation	Toilet
Dining	Training/Teaching
Kitchen	Unclassified
Medical	Utility
Office	Vehicle Storage
Plant	Workshop
Recreation	Worship
Resource	

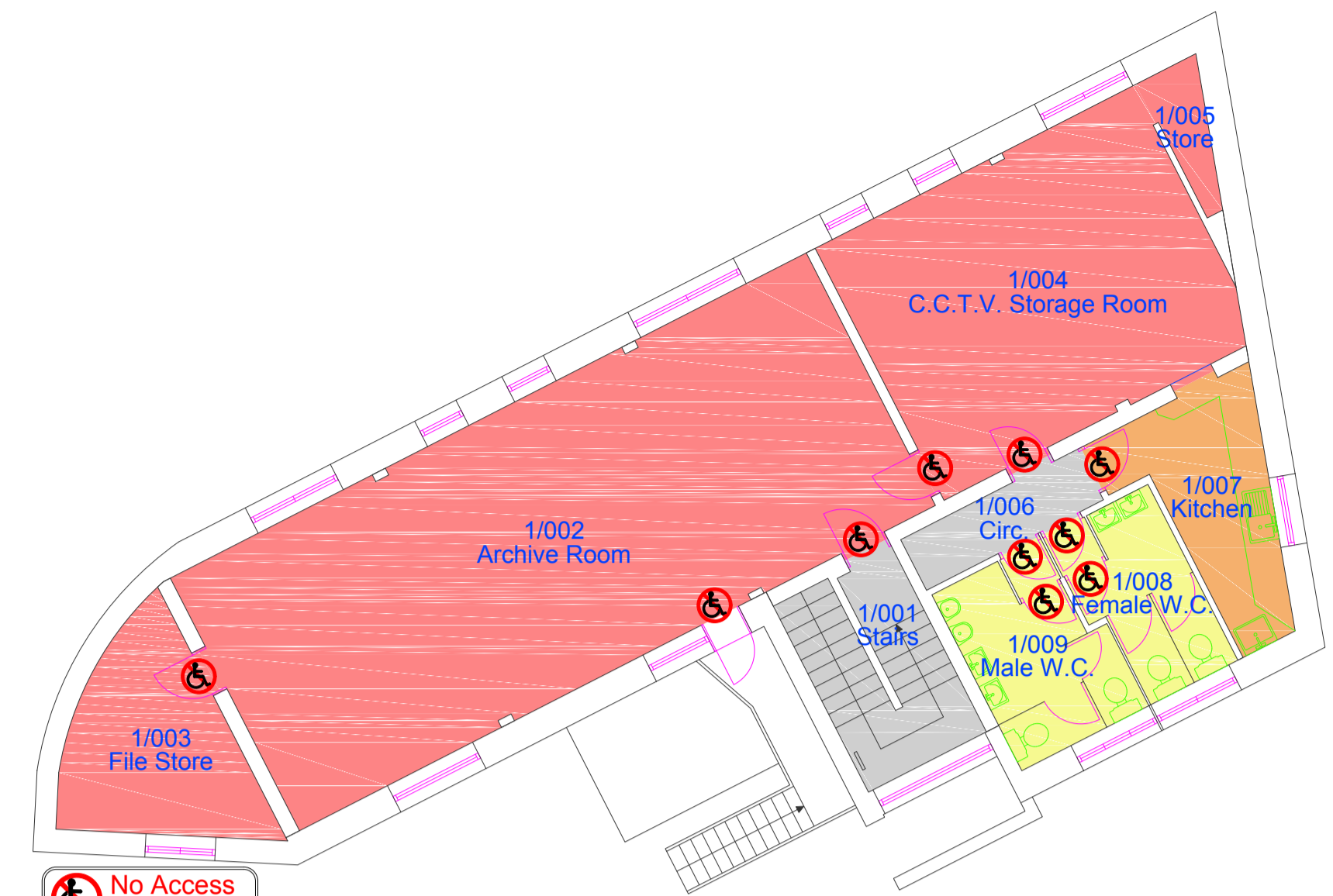
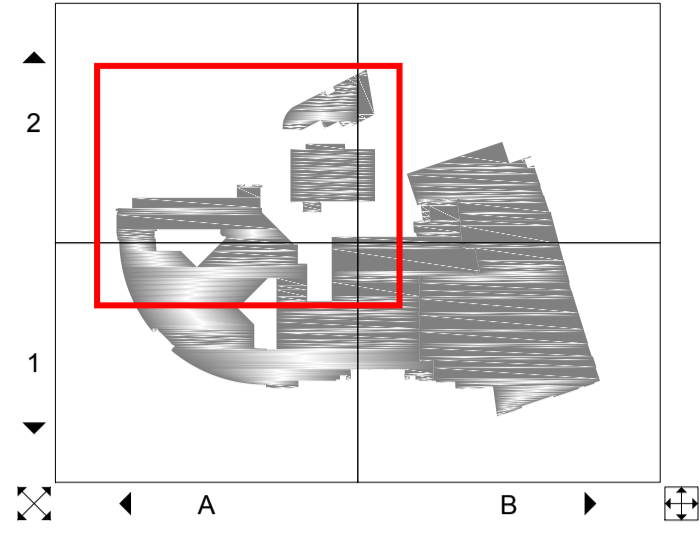
Rev	Description	Drn	Chk	Date
04	Town Hall & Library Update	CC	ARB	28/10/2015
03	Town Hall & Library Combined & Roof Updated	CC	ARB	09/02/2015
02	Roof Plan Added	CC	ARB	06/03/2013
01	Desk Layout Added	CC	ARB	19/11/2010
00	Initial Supply	CC	ARB	07/11/2008



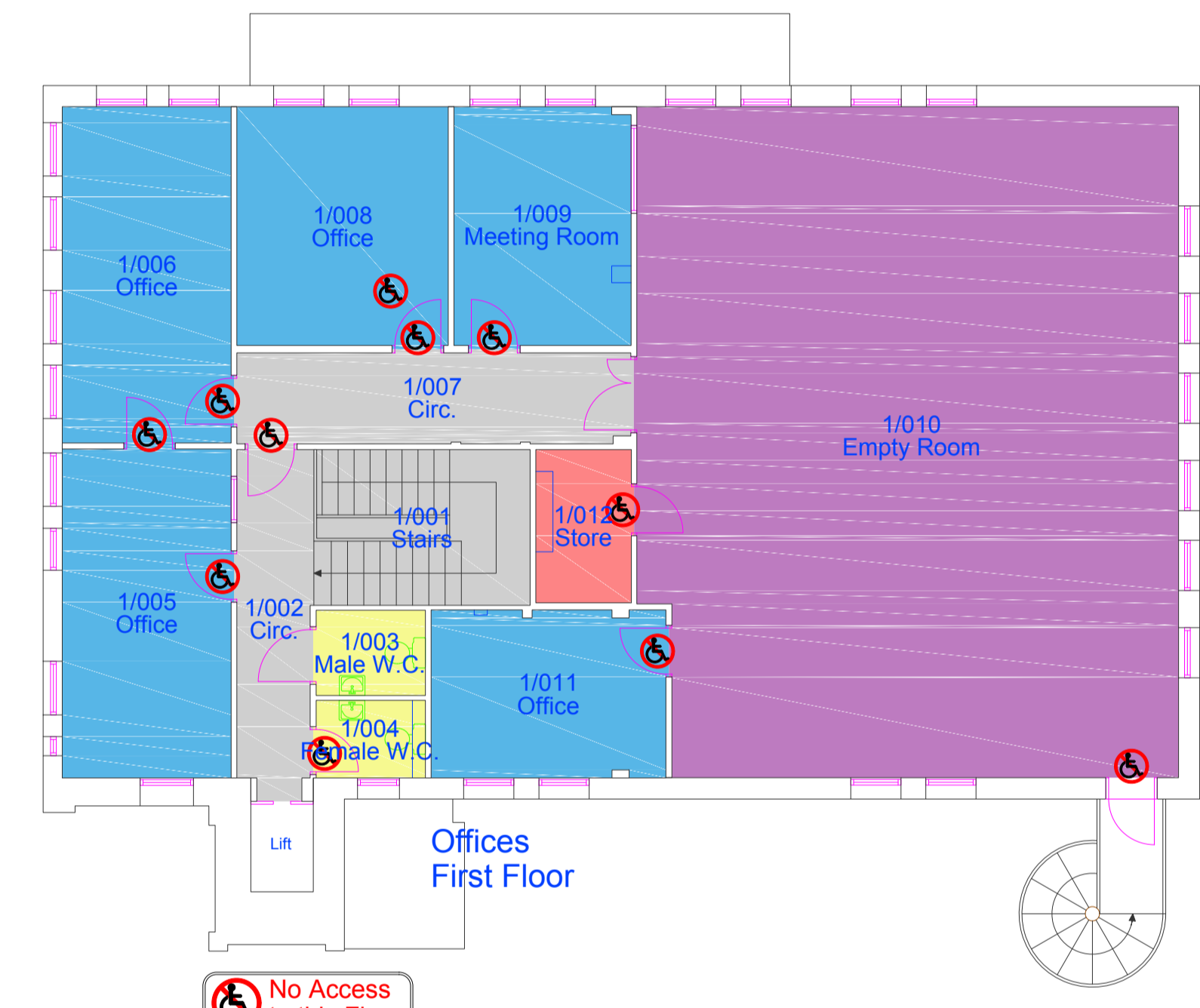
Property: **Stoke Newington Town Hall & Stoke Newington Library**  
 Title: **First Floor Plan Sheet 1**

<b>Area Information</b>	Job: S6150
Total Site Area:	Scale: 1:100@A1 1:200@A3
Gross External Area: 10514.6	Date: 28/10/2015
Gross Internal Area: 9622.2	Survey: N/A
Total Room Area: 8587.5	Drawn: CAD-CAPTURE
Net Internal Area: 4076.5	Checked: ARB
Filename: 100023548164.dwg	
Drawing No: 100023548164	

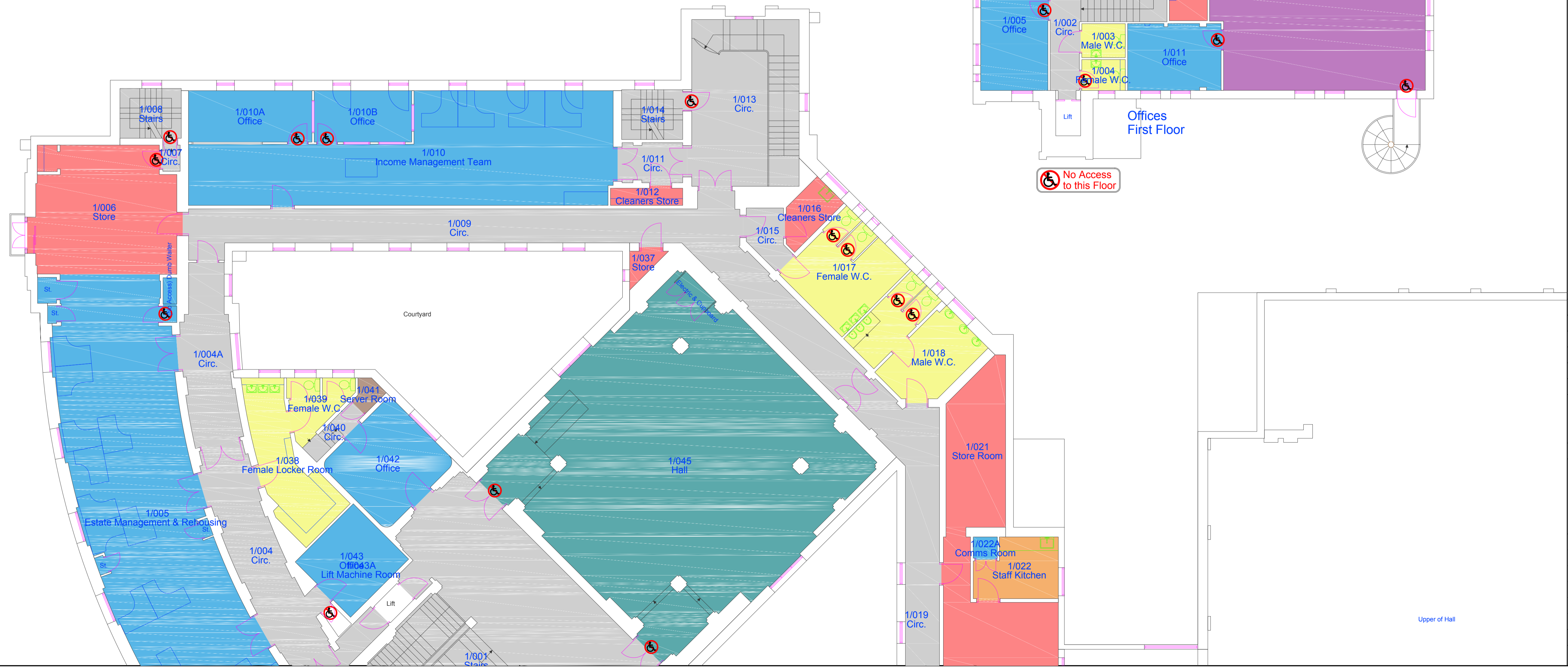




**No Access to this Floor**  
Civil Defence Building  
First Floor



**No Access to this Floor**  
Offices  
First Floor



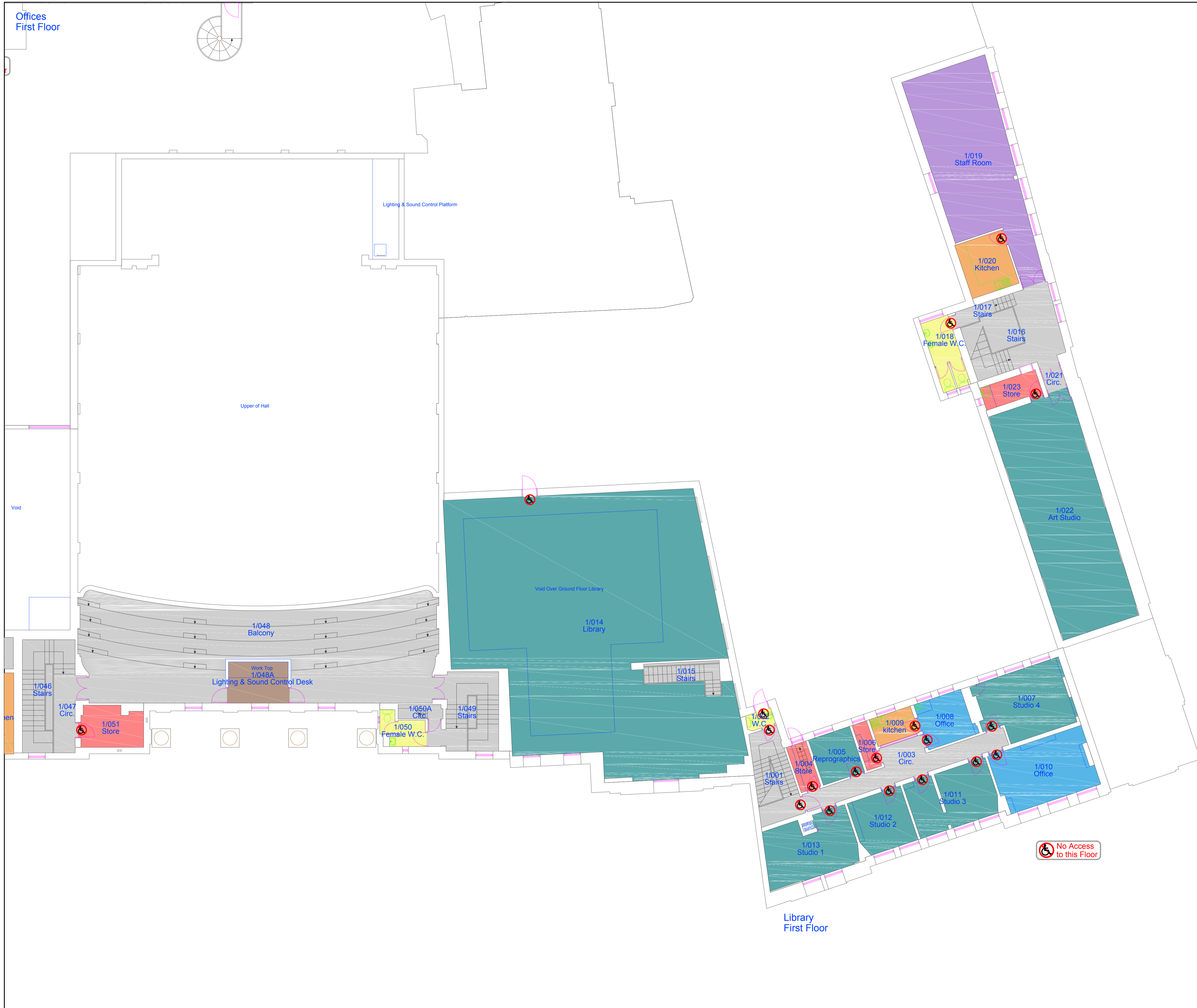
Accommodation	Retail
Changing/Cloaks	Sport/Fitness
Child Care	Store
Circulation	Toilet
Dining	Training/Teaching
Kitchen	Unclassified
Medical	Utility
Office	Vehicle Storage
Plant	Workshop
Recreation	Worship
Resource	

04	Town Hall & Library Update	CC	ARB	28/10/2015
03	Town Hall & Library Combined & Roof Updated	CC	ARB	09/02/2015
02	Roof Plan Added	CC	ARB	06/03/2013
01	Desk Layout Added	CC	ARB	19/11/2010
00	Initial Supply	CC	ARB	07/11/2008
Rev	Description	Drm	Chk	Date

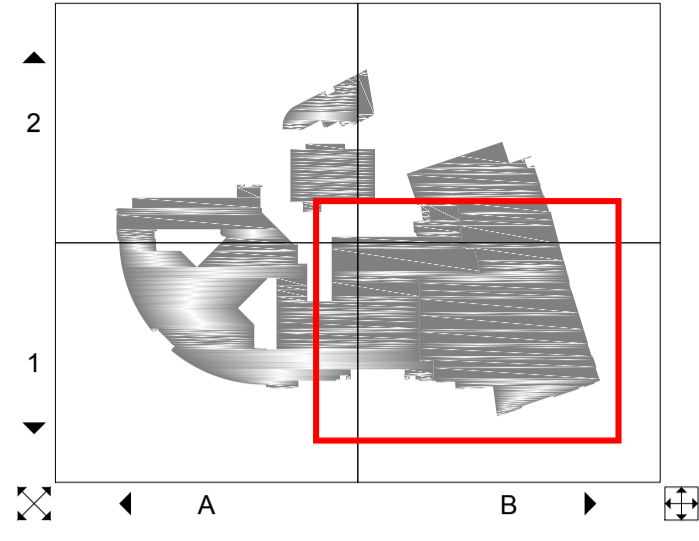


Property: **Stoke Newington Town Hall & Stoke Newington Library**  
Title: **First Floor Plan Sheet 2**

<b>Area Information</b>	Job: S6150
Total Site Area:	Scale: 1:100@A1 1:200@A3
Gross External Area: 10514.6	Date: 28/10/2015
Gross Internal Area: 9622.2	Survey: N/A
Total Room Area: 8587.5	Drawn: CAD-CAPTURE
Net Internal Area: 4076.5	Checked: ARB
Filename: 100023548164.dwg	
Drawing No: 100023548164	



DO NOT SCALE FROM DRAWING. ALL DIMENSIONS MUST BE TAKEN ON SITE.



Accommodation	Retail
Changing/Cloaks	Sport/Fitness
Child Care	Store
Circulation	Toilet
Dining	Training/Teaching
Kitchen	Unclassified
Medical	Utility
Office	Vehicle Storage
Plant	Workshop
Recreation	Worship
Resource	

04	Town Hall & Library Update	CC	ARB	28/10/2015
03	Town Hall & Library Combined & Roof Updated	CC	ARB	09/02/2015
02	Roof Plan Added	CC	ARB	06/03/2013
01	Desk Layout Added	CC	ARB	19/11/2010
00	Initial Supply	CC	ARB	07/11/2008
Rev	Description	Drm	Chk	Date

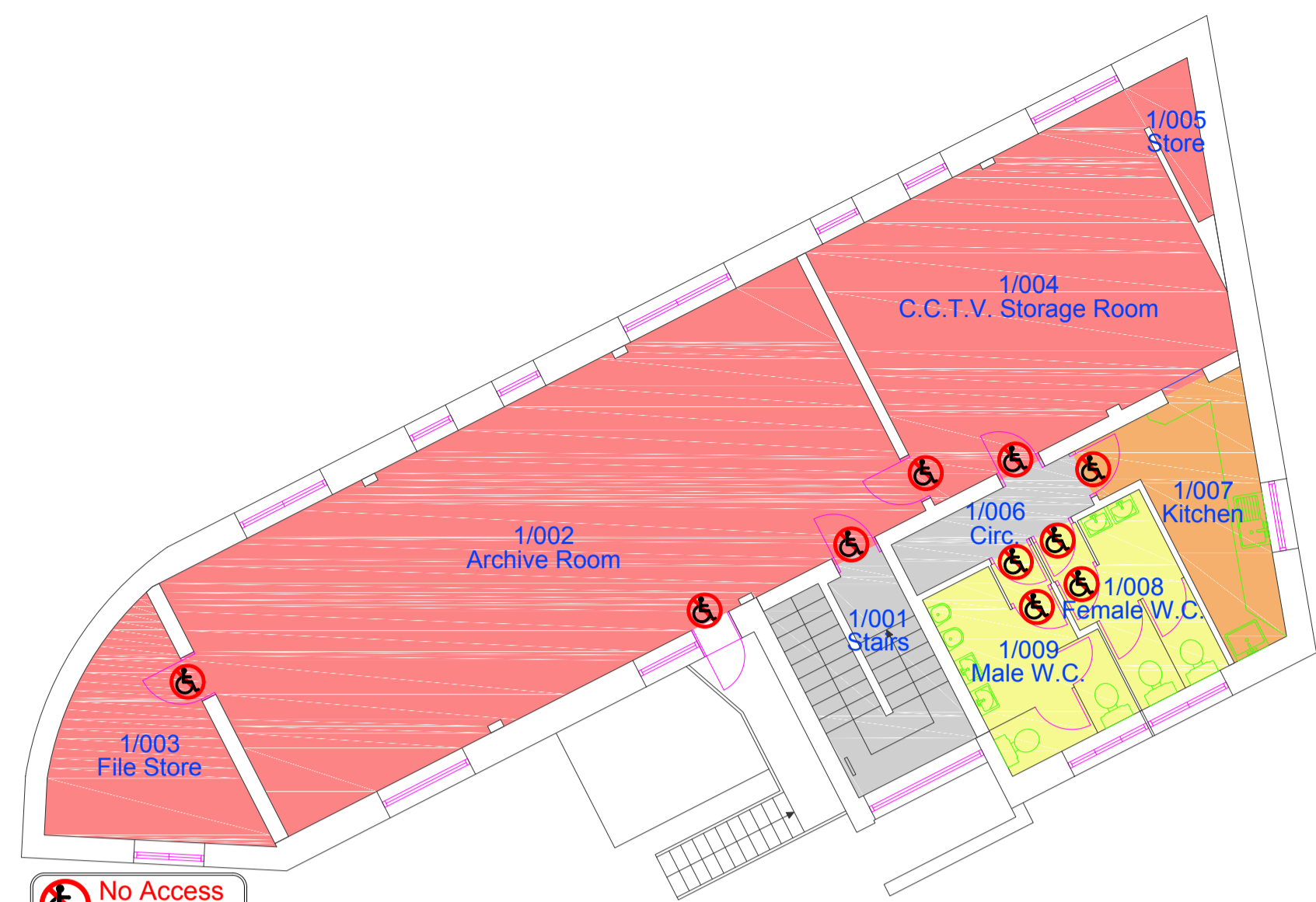
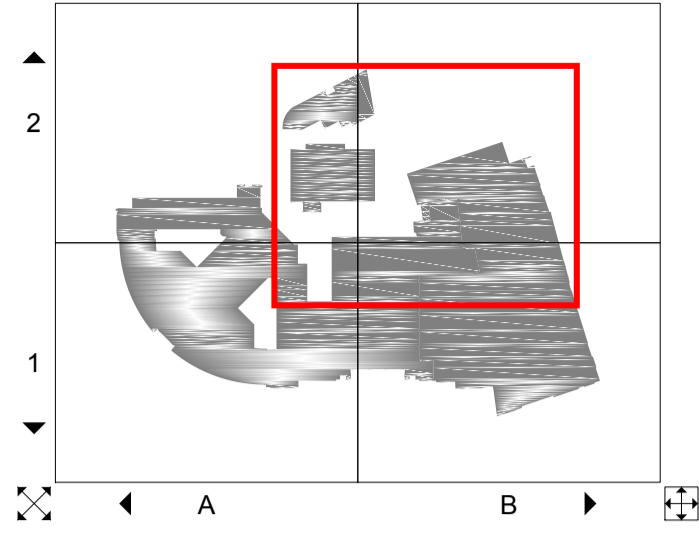


Property: Stoke Newington Town Hall & Stoke Newington Library  
 Title: First Floor Plan Sheet 3

<b>Area Information</b>	Job: S6150
Total Site Area:	Scale: 1:100@A1 1:200@A3
Gross External Area: 10514.6	Date: 28/10/2015
Gross Internal Area: 9622.2	Survey: N/A
Total Room Area: 8587.5	Drawn: CAD-CAPTURE
Net Internal Area: 4076.5	Checked: ARB
Filename: 100023548164.dwg	
Drawing No: 100023548164	

No Access to this Floor

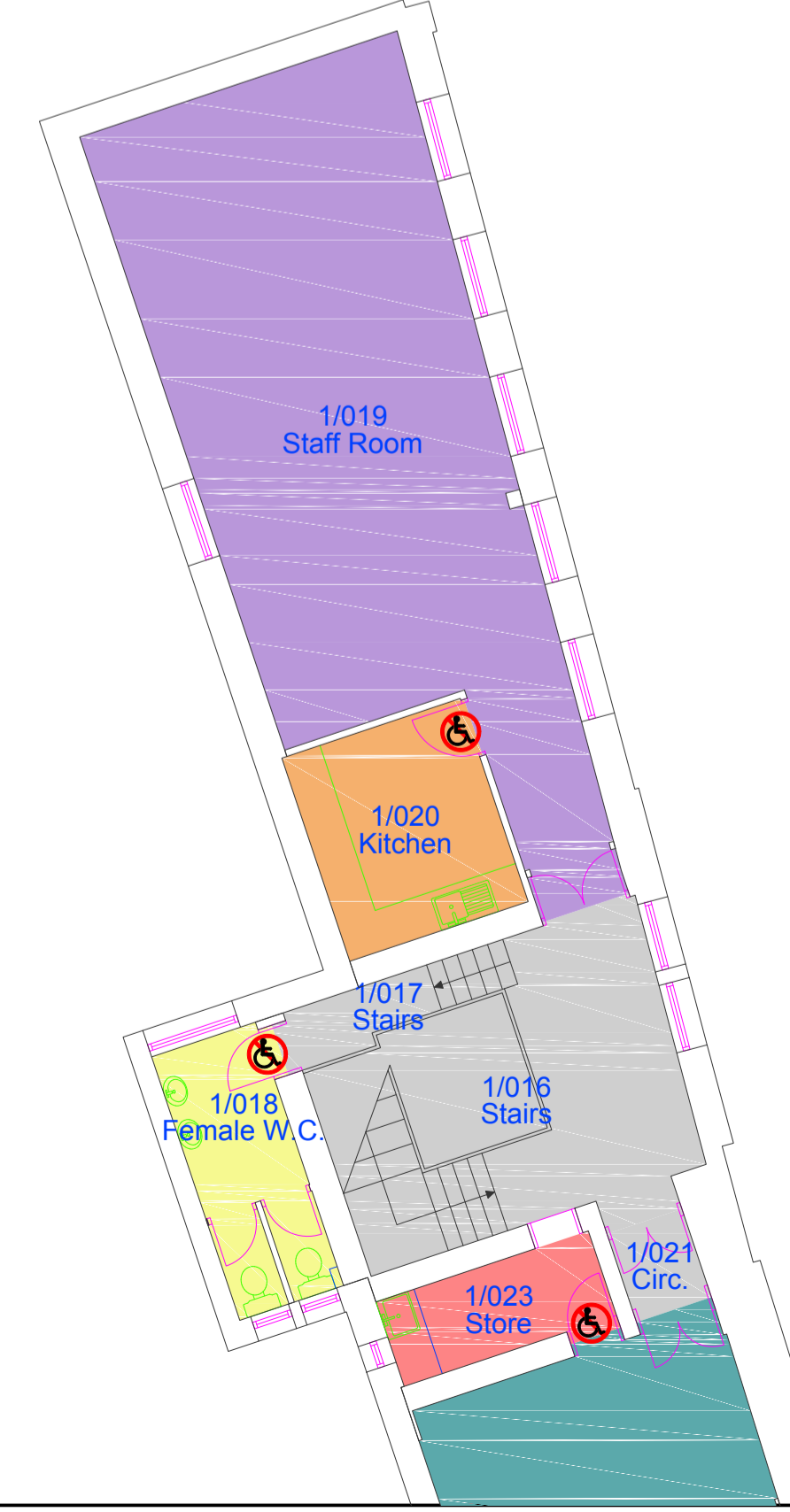
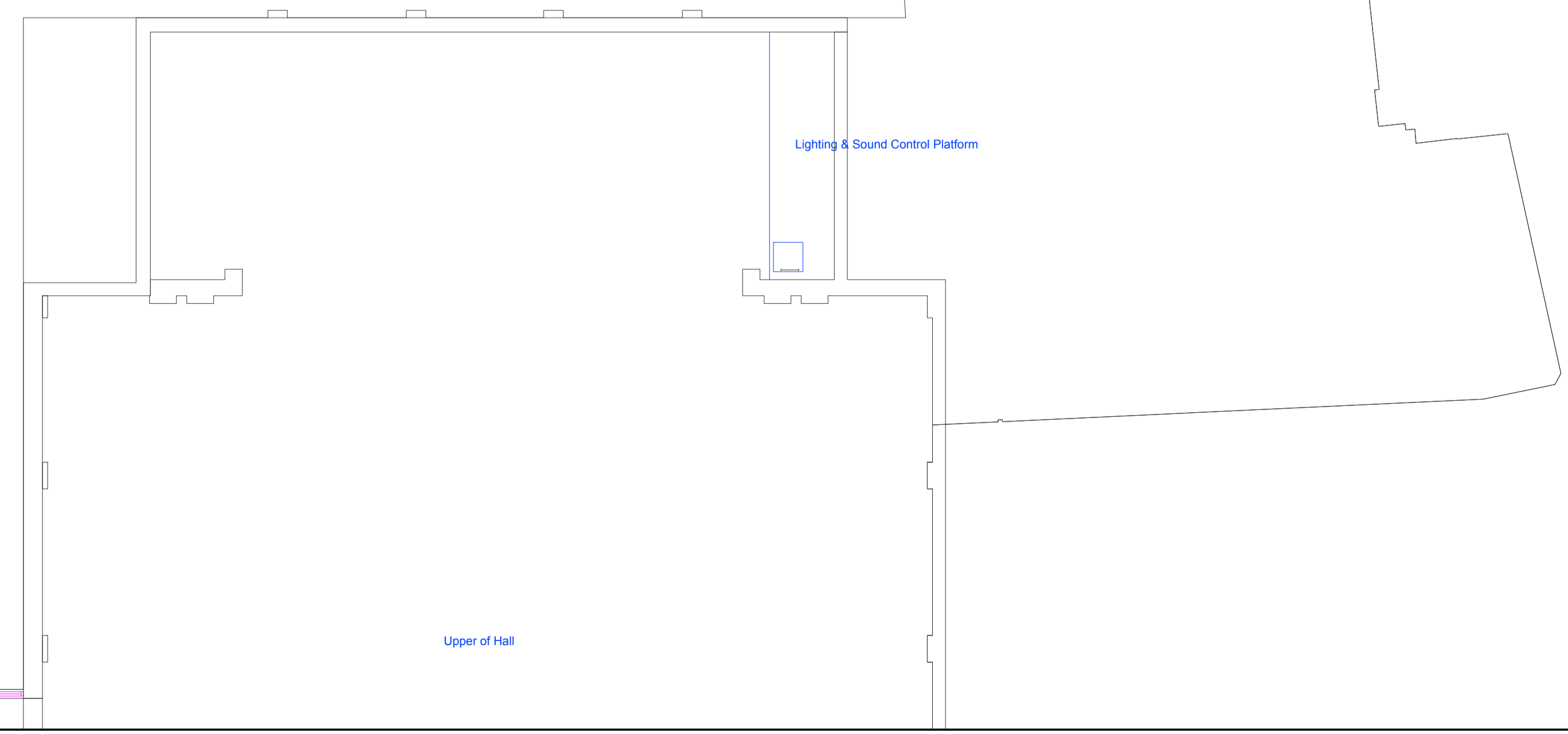
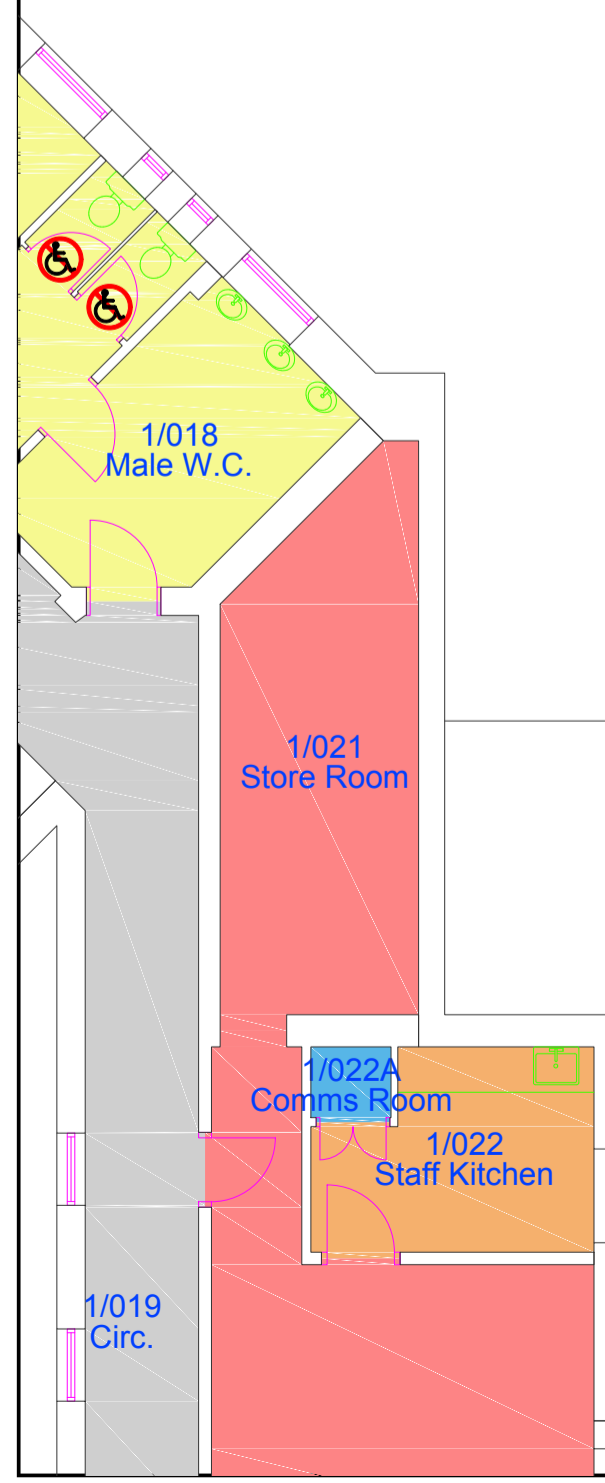
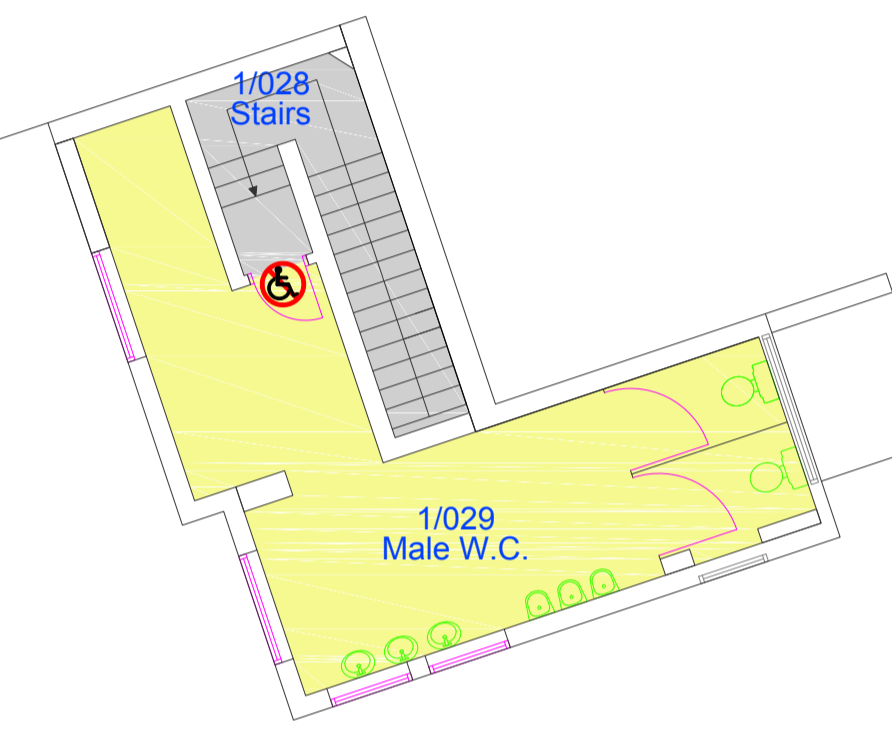
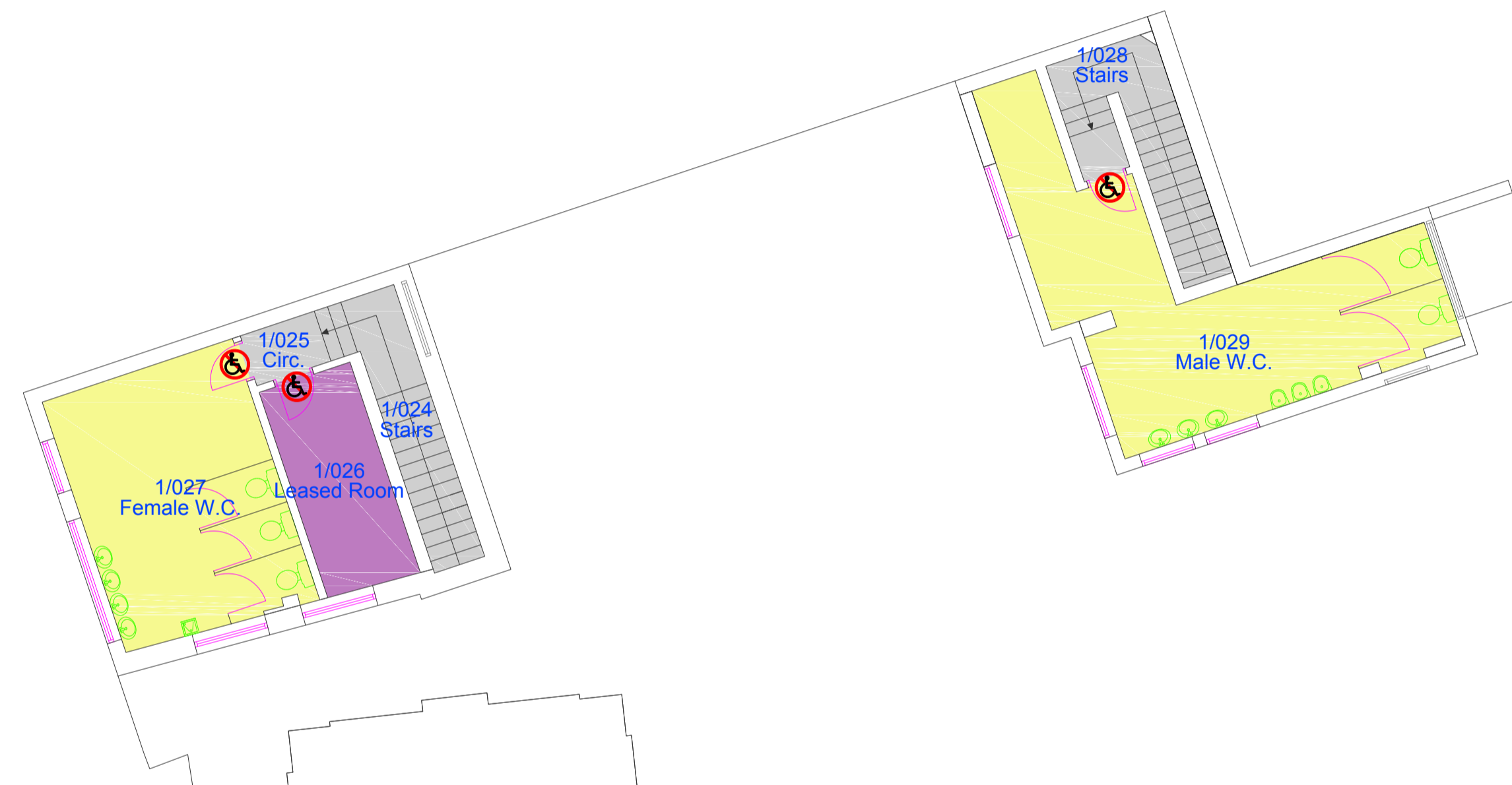
Library  
First Floor



Civil Defence Building  
First Floor



Offices  
First Floor



Accommodation	Retail
Changing/Cloaks	Sport/Fitness
Child Care	Store
Circulation	Toilet
Dining	Training/Teaching
Kitchen	Unclassified
Medical	Utility
Office	Vehicle Storage
Plant	Workshop
Recreation	Worship
Resource	

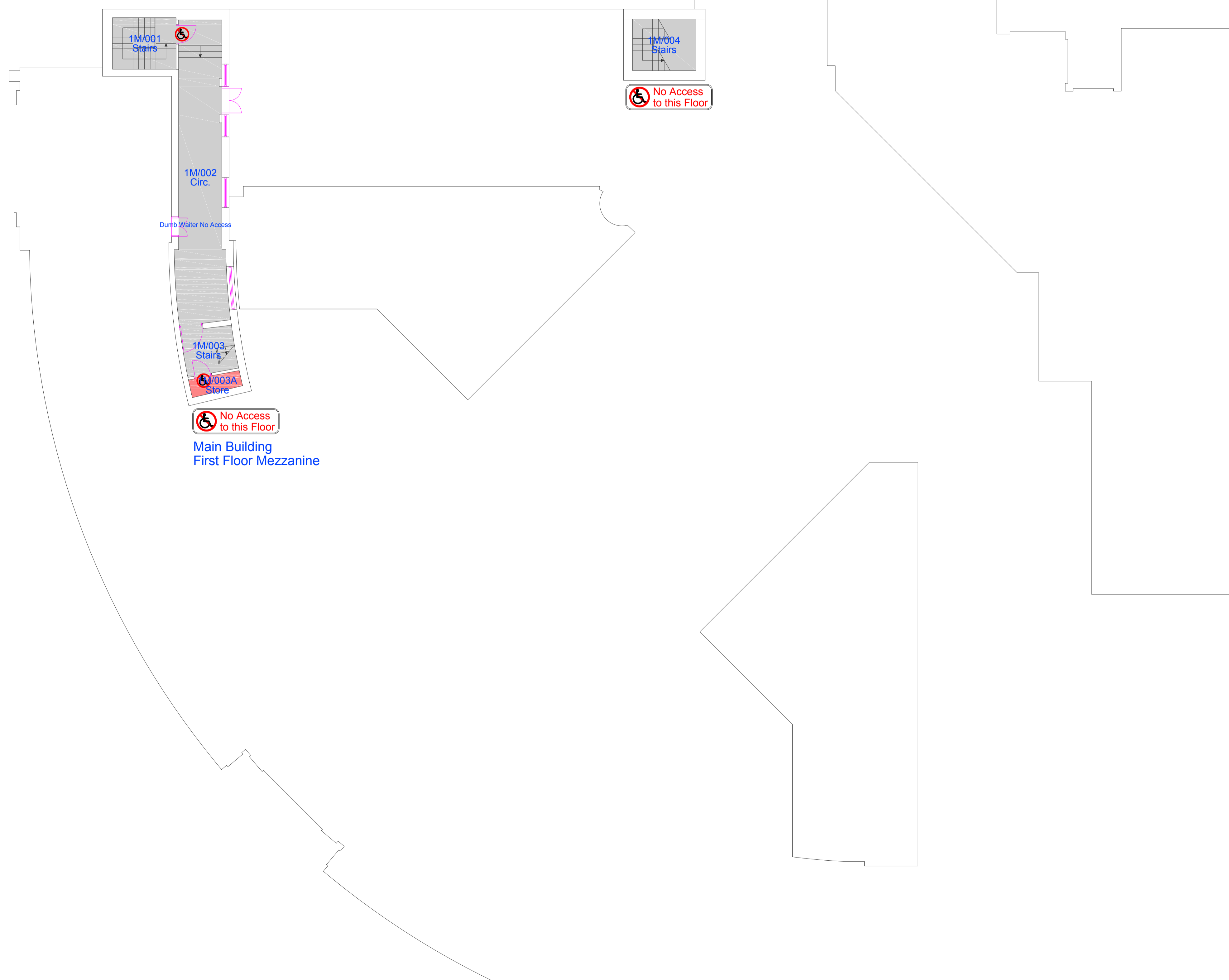
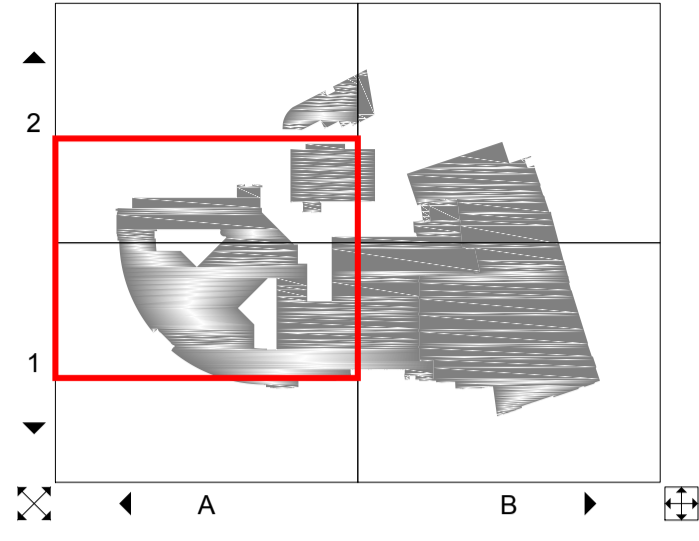
04	Town Hall & Library Update	CC	ARB	28/10/2015
03	Town Hall & Library Combined & Roof Updated	CC	ARB	09/02/2015
02	Roof Plan Added	CC	ARB	06/03/2013
01	Desk Layout Added	CC	ARB	19/11/2010
00	Initial Supply	CC	ARB	07/11/2008
Rev	Description	Drm	Chk	Date



Property: Stoke Newington Town Hall & Stoke Newington Library  
 Title: First Floor Plan Sheet 4

Area Information		Job:	S6150
Total Site Area:	Scale:	1:100@A1 1:200@A3	
Gross External Area:	10514.6	Date:	28/10/2015
Gross Internal Area:	9622.2	Survey:	N/A
Total Room Area:	8587.5	Drawn:	CAD-CAPTURE
Net Internal Area:	4076.5	Checked:	ARB
Filename:	100023548164.dwg		
Drawing No:	100023548164		

DO NOT SCALE FROM DRAWING. ALL DIMENSIONS MUST BE TAKEN ON SITE.



Accommodation	Retail
Changing/Cloaks	Sport/Fitness
Child Care	Store
Circulation	Toilet
Dining	Training/Teaching
Kitchen	Unclassified
Medical	Utility
Office	Vehicle Storage
Plant	Workshop
Recreation	Worship
Resource	

04	Town Hall & Library Update	CC	ARB	28/10/2015
03	Town Hall & Library Combined & Roof Updated	CC	ARB	09/02/2015
02	Roof Plan Added	CC	ARB	06/03/2013
01	Desk Layout Added	CC	ARB	19/11/2010
00	Initial Supply	CC	ARB	07/11/2008
Rev	Description	Drm	Chk	Date

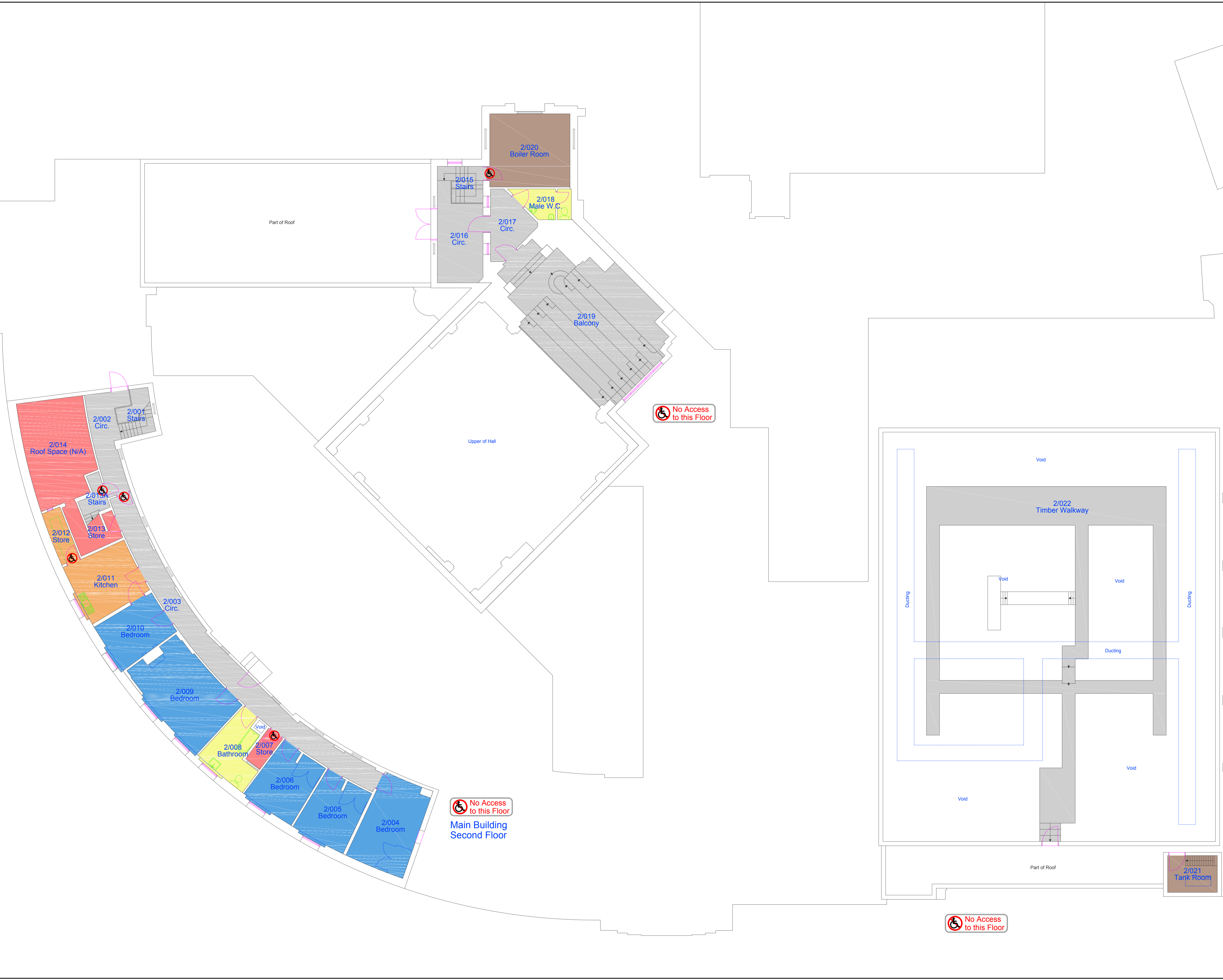
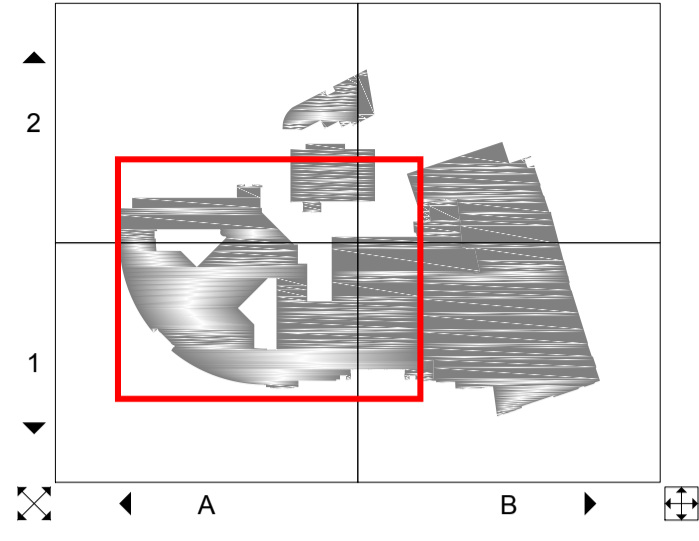


CAD-CAPTURE AssetCapture™ www.assetcapture.net Tel: 01254 504450

Property: **Stoke Newington Town Hall & Stoke Newington Library**  
 Title: **First Floor Mezzanine Plan Sheet A1**

<b>Area Information</b>	Job: S6150
Total Site Area:	Scale: 1:100@A1 1:200@A3
Gross External Area: 10514.6	Date: 28/10/2015
Gross Internal Area: 9622.2	Survey: N/A
Total Room Area: 8587.5	Drawn: CAD-CAPTURE
Net Internal Area: 4076.5	Checked: ARB
Filename: 100023548164.dwg	
Drawing No: 100023548164	

DO NOT SCALE FROM DRAWING. ALL DIMENSIONS MUST BE TAKEN ON SITE.



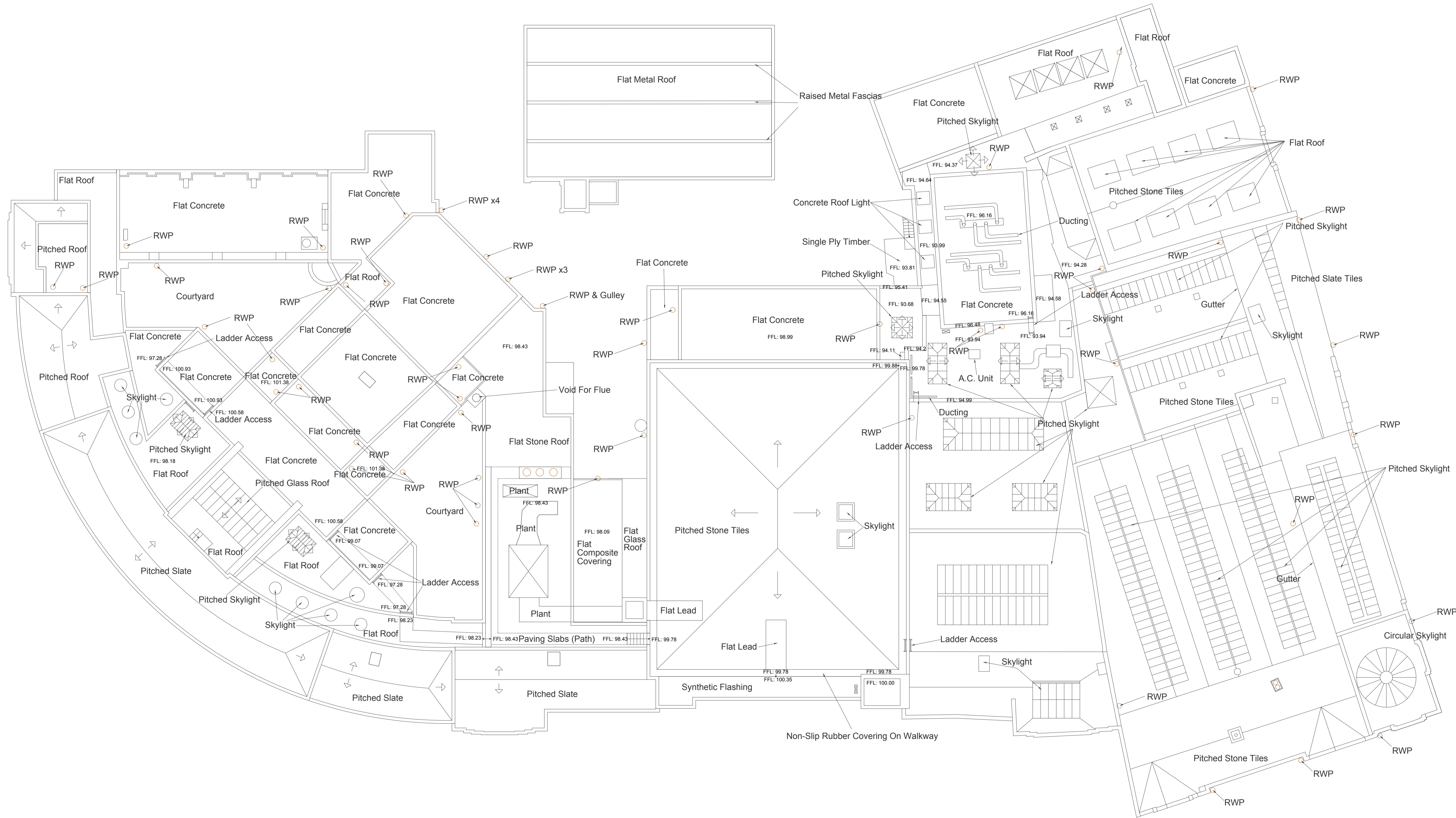
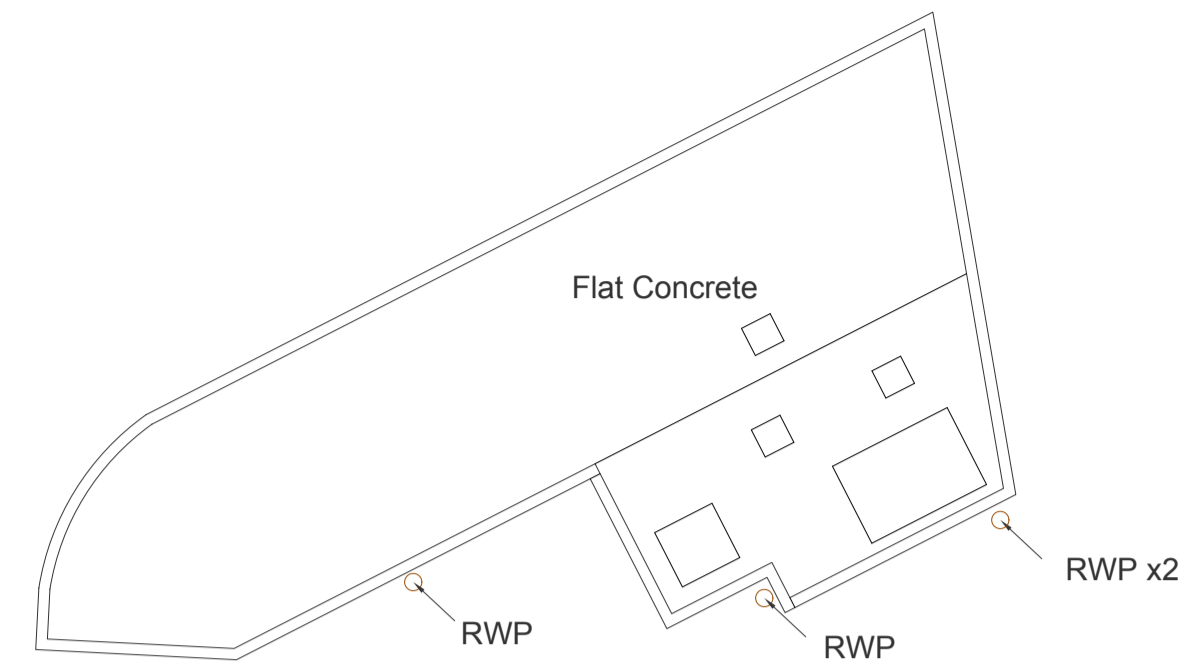
- Accommodation
- Retail
- Changing/Cloaks
- Sport/Fitness
- Child Care
- Store
- Circulation
- Toilet
- Dining
- Training/Teaching
- Kitchen
- Unclassified
- Medical
- Utility
- Office
- Vehicle Storage
- Plant
- Workshop
- Recreation
- Worship
- Resource

Rev	Description	Drn	Chk	Date
04	Town Hall & Library Update	CC	ARB	28/10/2015
03	Town Hall & Library Combined & Roof Updated	CC	ARB	09/02/2015
02	Roof Plan Added	CC	ARB	06/03/2013
01	Desk Layout Added	CC	ARB	19/11/2010
00	Initial Supply	CC	ARB	07/11/2008



Property: **Stoke Newington Town Hall & Stoke Newington Library**  
 Title: **Second Floor Plan Sheet 1**

Area Information		Job:	S6150
Total Site Area:	10514.6	Scale:	1:100@A1 1:200@A3
Gross External Area:	9622.2	Date:	28/10/2015
Gross Internal Area:	8587.5	Survey:	N/A
Total Room Area:	4076.5	Drawn:	CAD-CAPTURE
Net Internal Area:	4076.5	Checked:	ARB
Filename:	100023548164.dwg		
Drawing No:	100023548164		



Datum Point Start = FFL :100

Rev	Description	Drn	Chk	Date
04	Town Hall & Library Update	CC	ARB	28/10/2015
03	Town Hall & Library Combined & Roof Updated	CC	ARB	09/02/2015
02	Roof Plan Added	CC	ARB	06/03/2013
01	Desk Layout Added	CC	ARB	19/11/2010
00	Initial Supply	CC	ARB	07/11/2008



CAD-CAPTURE AssetCapture™ www.assetcapture.net Tel: 01254 504450

Property: Stoke Newington Town Hall & Stoke Newington Library  
 Title: Roof Plan

Area Information	Job:
Total Site Area:	S6150
Gross External Area: 10514.6	Scale: 1:170@A1 1:340@A3
Gross Internal Area: 9622.2	Date: 28/10/2015
Total Room Area: 8587.5	Survey: N/A
Net Internal Area: 4076.5	Drawn: CAD-CAPTURE
Filename: 100023548164.dwg	Checked: ARB
Drawing No: 100023548164	